

Clear Prop!

ADVANCED



# OV-1B MOHAWK

**1:72**  
model # CP72038



scale model kit

SPAN: 203 mm

LENGHT: 174.3 mm

NUMBER OF PARTS: 70 pcs

- 1** stages of assembly
- ?** optional
- A** variants of assembly
- glue by super glue
- A1** part number
- do not glue
- fill with putty
- make a hole
- 1** apply decals
- detach with knife
- apply the adhesive mask
- paint
- bend
- repeat the operation N times

**Role**  
National origin  
United States  
**Manufacturer**  
Grumman  
**First flight**  
14 April 1959  
**Primary users**  
United States Army, Argentine Army Aviation  
**Produced**  
1959–1970  
**Number built**  
380

The Grumman OV-1 Mohawk is an armed military observation and attack aircraft that was designed for battlefield surveillance and light strike capabilities. It has a twin turboprop configuration, and carries two crew members in side-by-side seating. The Mohawk was intended to operate from short, unimproved runways in support of United States Army maneuver forces.

The Mohawk began as a joint Army-Marine program through the then-Navy Bureau of Aeronautics (BuAer), for an observation/attack plane that would outperform the Cessna L-19 Bird Dog. In June 1956, the Army issued Type Specification TS145, which called for the development and procurement of a two-seat, twin turboprop aircraft designed to operate from small, unimproved fields under all weather conditions. It would be faster, with greater firepower, and heavier armour than the Bird Dog.

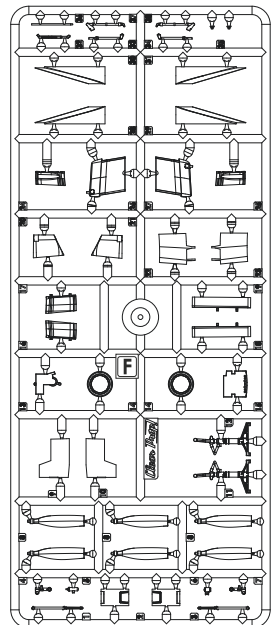
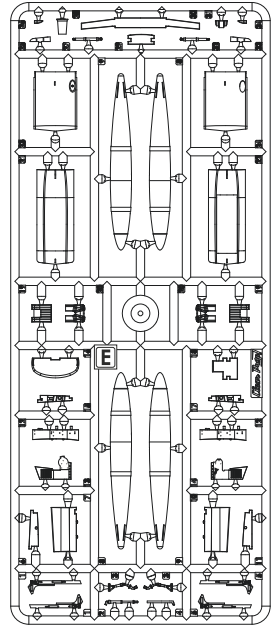
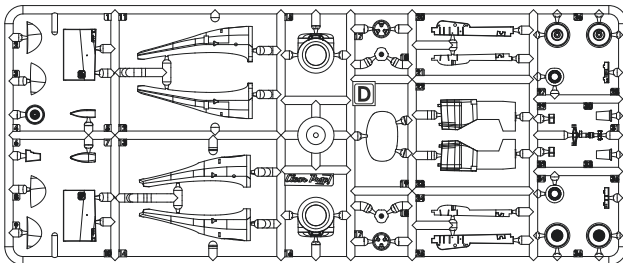
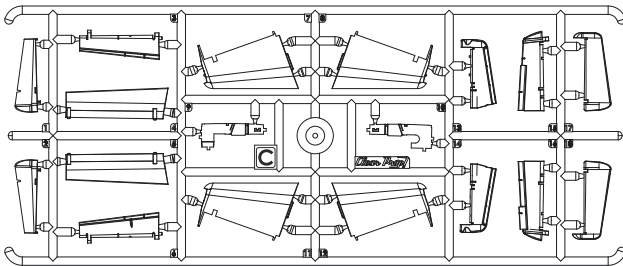
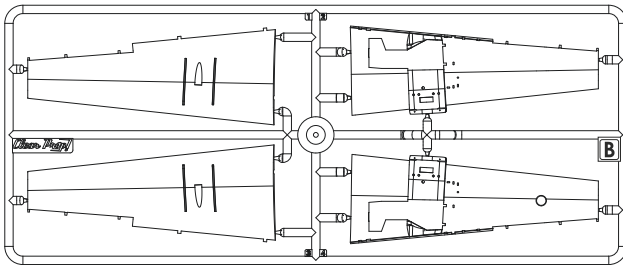
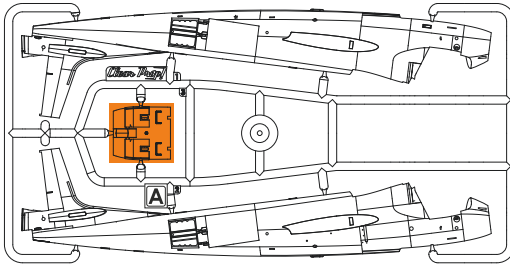
In mid-1961, the first Mohawks to serve with U.S. forces overseas were delivered to the 7th Army at Sandhofen Airfield near Mannheim, Germany.

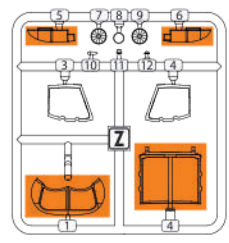
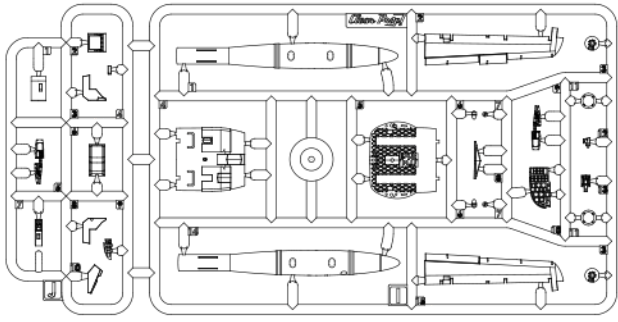
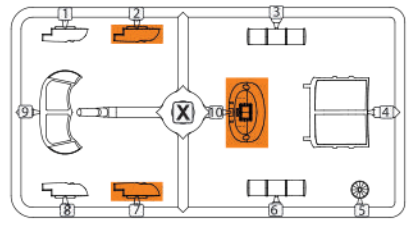
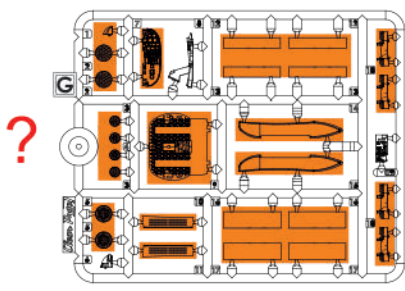
Over the years, the mission and the aircraft underwent many changes and roughly 380 were built over all variants. Mohawk variants included the JOV-1, OV-1A, OV-1B, the OV-1C, and the OV-1D (SLAR pod and bigger wings), OV-1E, EV-1E and RV-1E.

## REQUIRED PAINTS

- |                                                              |                                                                       |                                                   |                                                     |                                               |                                                    |                                                       |                                                        |                                                                    |
|--------------------------------------------------------------|-----------------------------------------------------------------------|---------------------------------------------------|-----------------------------------------------------|-----------------------------------------------|----------------------------------------------------|-------------------------------------------------------|--------------------------------------------------------|--------------------------------------------------------------------|
| <b>A</b> MR. COLOR 12<br>A.MIG-0237<br>OLIVE DRAB<br>(FADED) | <b>B</b> MR. COLOR 38<br>A.MIG-0925<br>OLIVE DRAB<br>(DARK)           | <b>C</b> MR. COLOR 33<br>A.MIG-0046<br>BLACK MATT | <b>D</b> MR. COLOR 62<br>A.MIG-0050<br>MATT WHITE   | <b>E</b> MR. COLOR 59<br>A.MIG-0129<br>ORANGE | <b>F</b> MR. COLOR 301<br>A.MIG-0908<br>GREY BASE  | <b>G</b> MR. COLOR 55<br>A.MIG-0056<br>GREEN KHAKI    | <b>H</b> MR. COLOR 137<br>A.MIG-0033<br>RUBBER & TIRES | <b>I</b> MR. COLOR 211<br>A.MIG-0192<br>POLISHED METAL<br>METALLIC |
| <b>J</b> MR. COLOR 47<br>A.MIG-0093<br>RED CRYSTAL           | <b>K</b> MR. COLOR 61<br>A.MIG-0187<br>EXHAUST BURNT<br>IRON METALLIC | <b>L</b> MR. COLOR 317<br>A.MIG-0205<br>GULL GREY | <b>M</b> MR. COLOR 329<br>A.MIG-0125<br>GOLD YELLOW | <b>N</b> MR. COLOR 4<br>A.MIG-0048<br>YELLOW  | <b>O</b> MR. COLOR 340<br>A.MIG-0004<br>ARMY GREEN | <b>P</b> MR. COLOR 138<br>A.MIG-0092<br>GREEN CRYSTAL | <b>R</b> MR. COLOR MC218<br>A.MIG-0194<br>ALUMINIUM    |                                                                    |

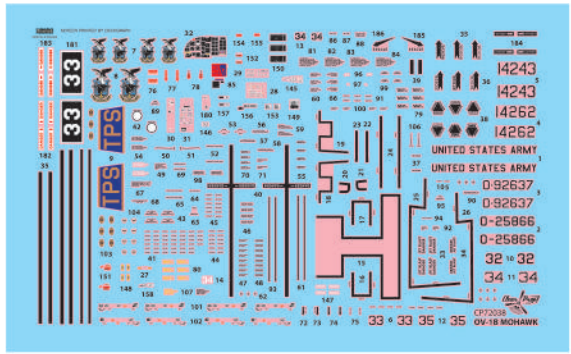
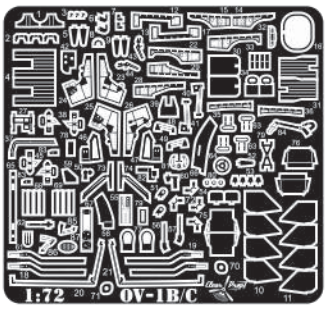
THIS MODEL IS PRODUCED FOR EXPERIENCED MODELERS OVER 14 YEARS





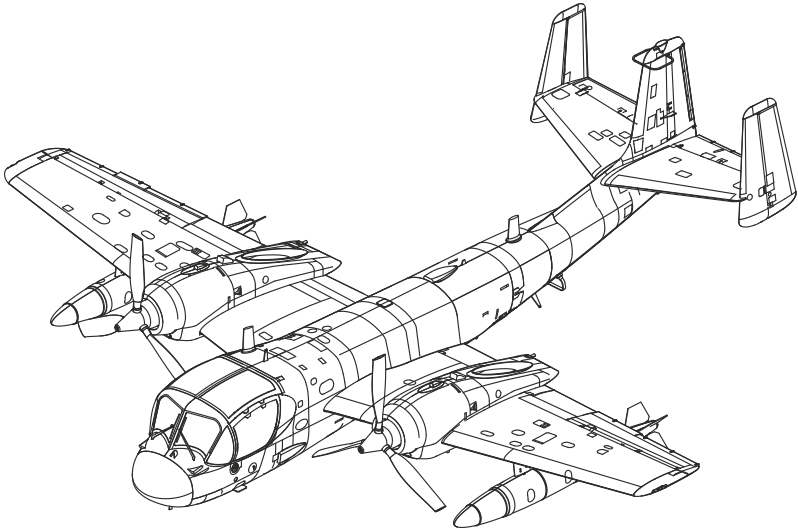
PHOTOETCHED PARTS

DECAL SHEETS

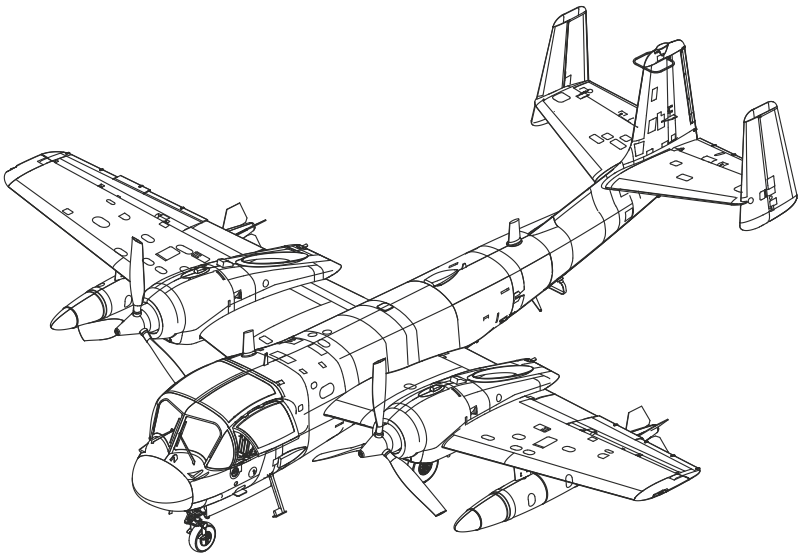


VARIANTS OF ASSEMBLY

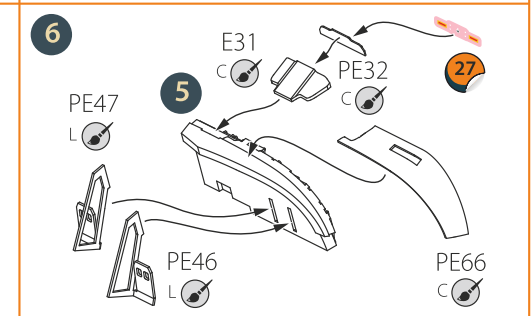
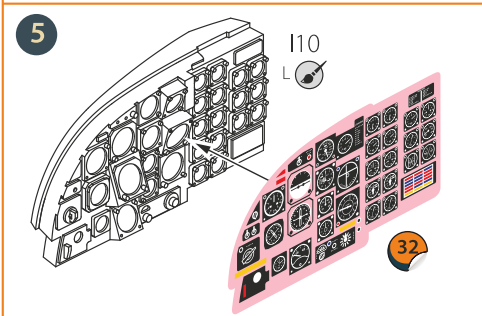
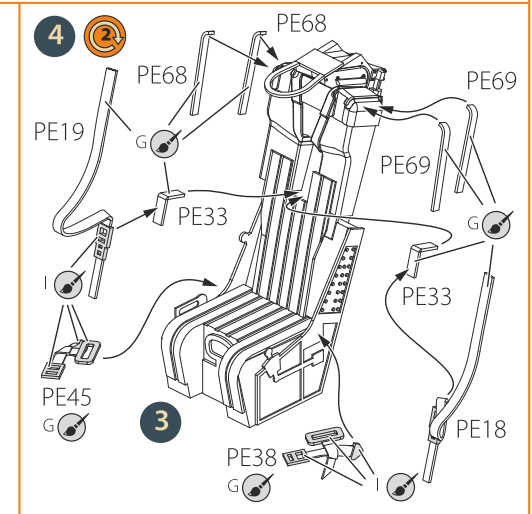
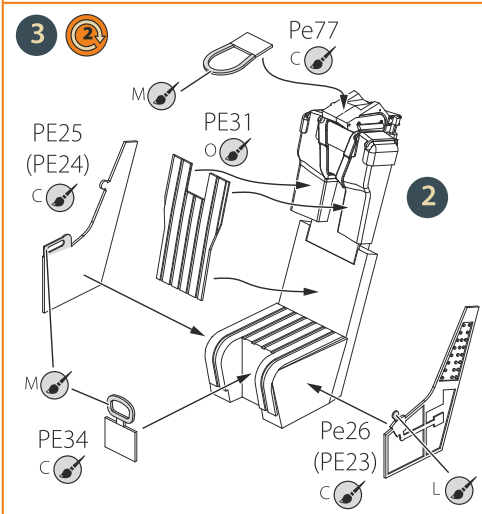
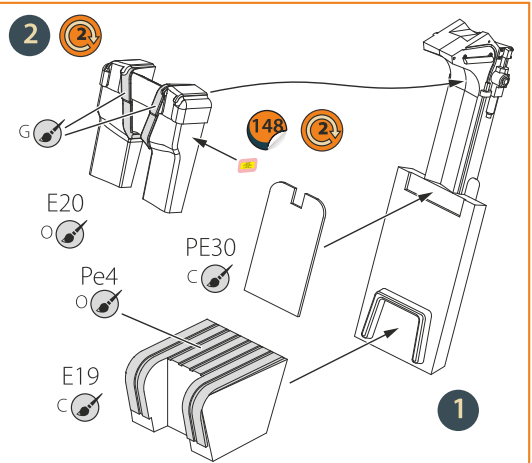
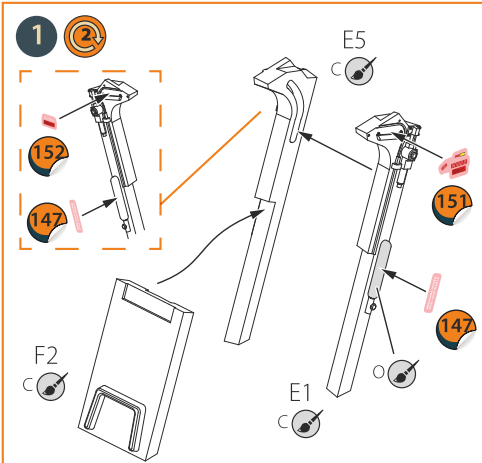
A

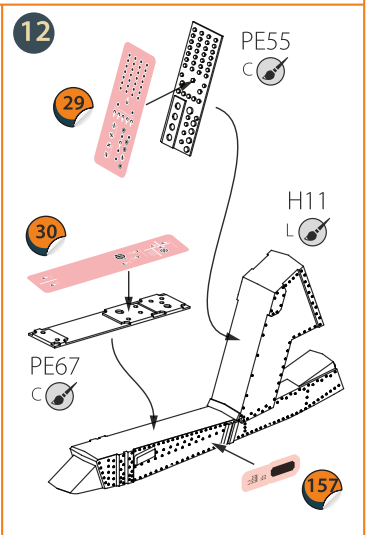
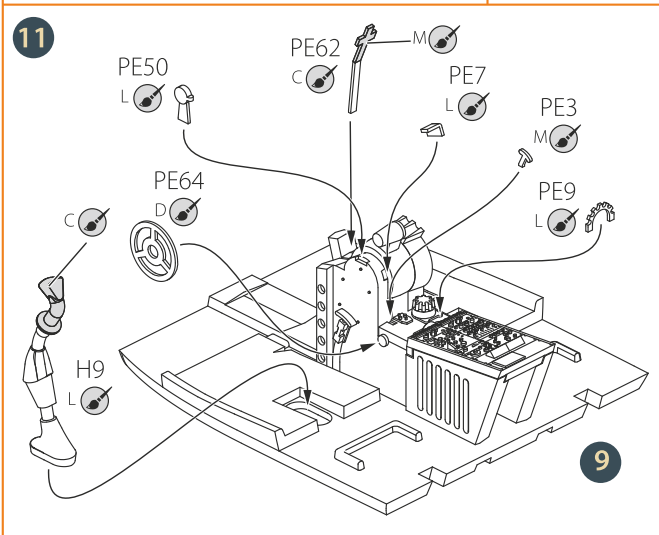
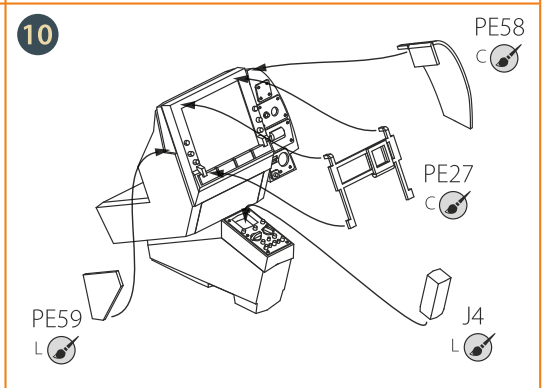
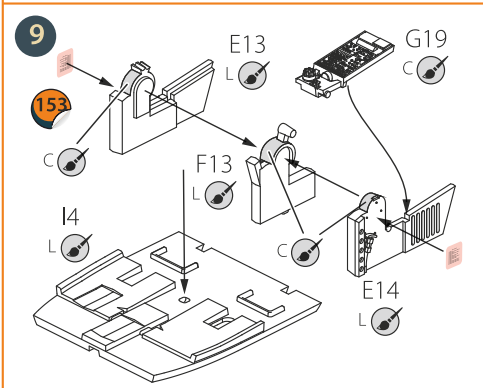
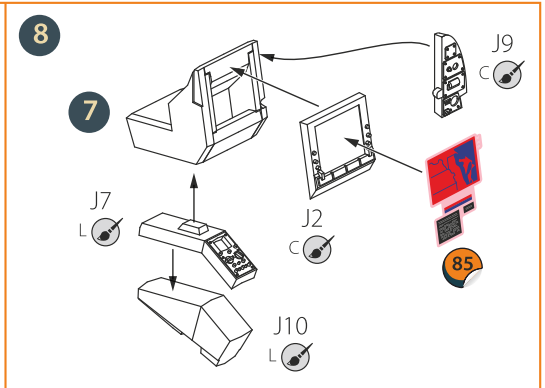
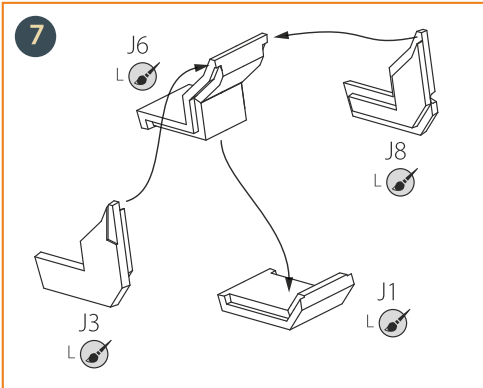


B

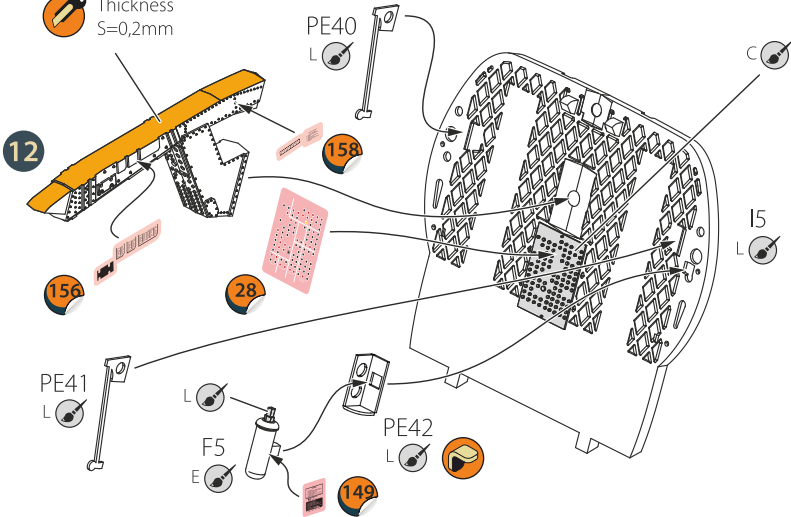
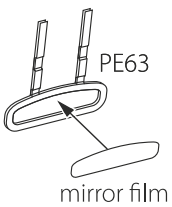
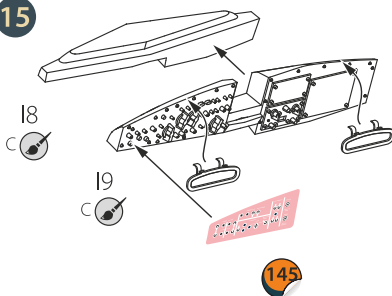
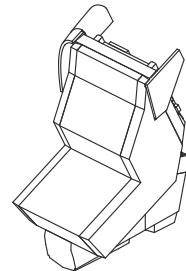


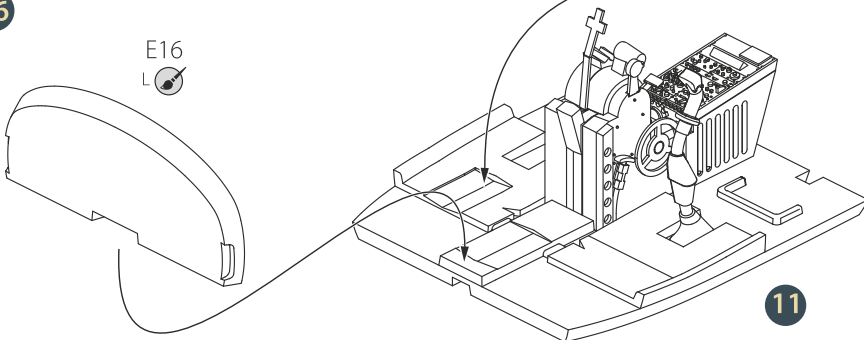


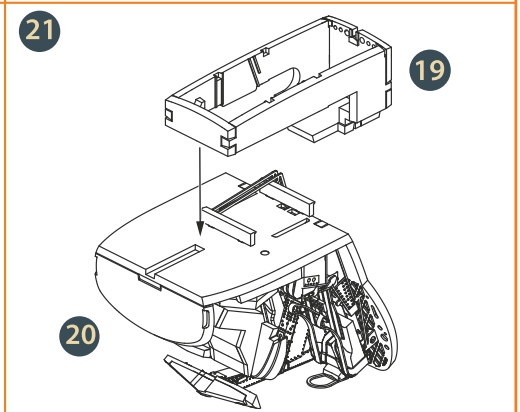
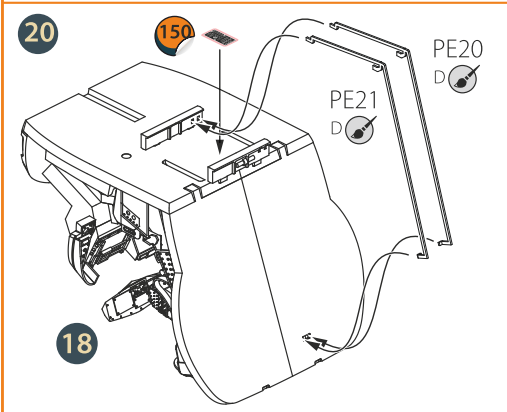
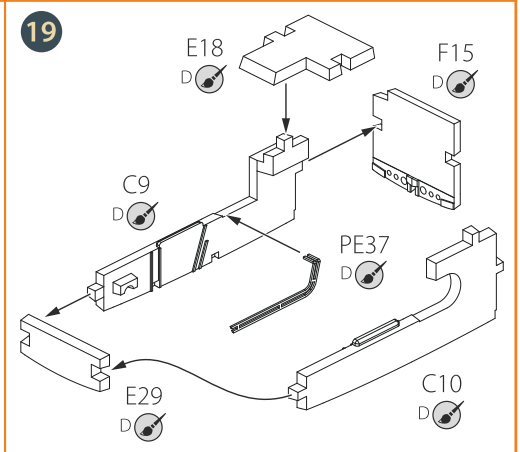
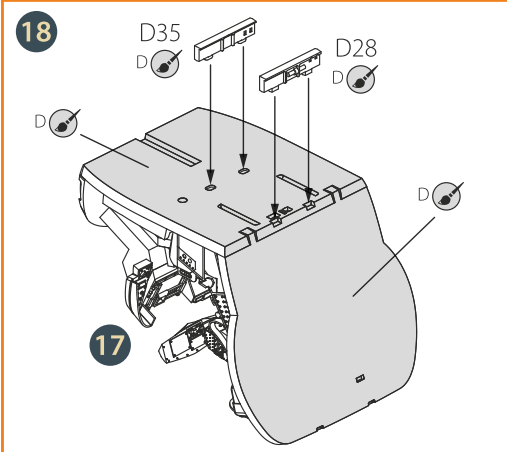
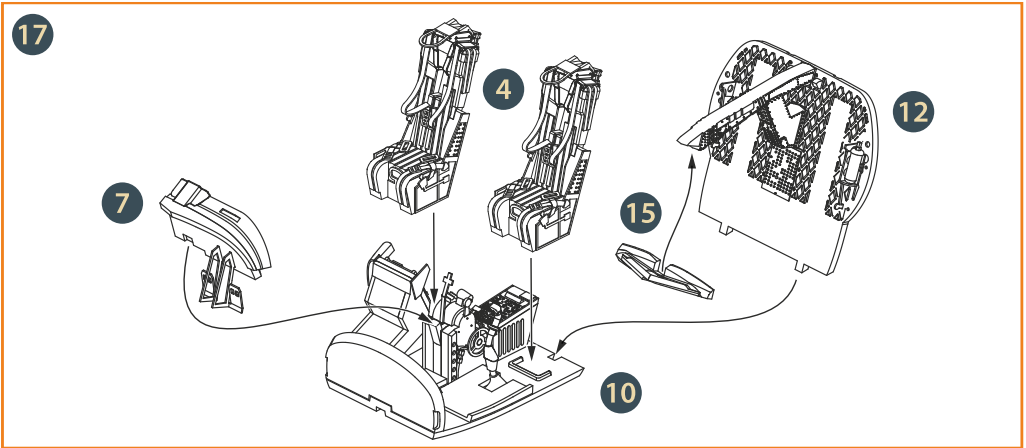


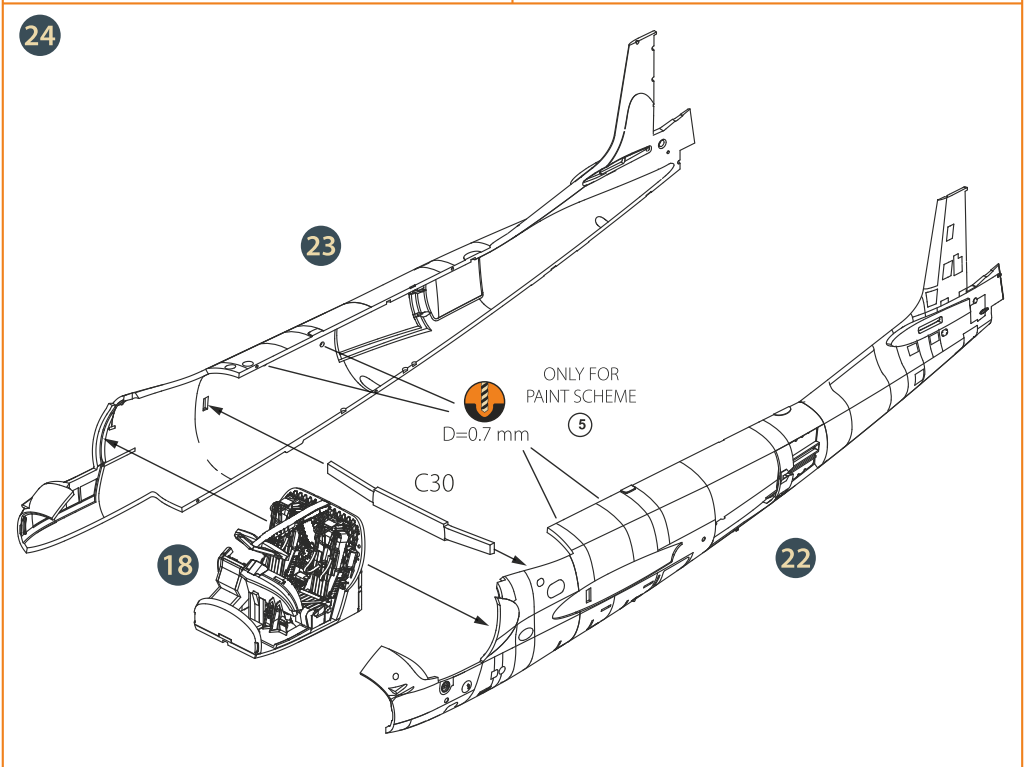
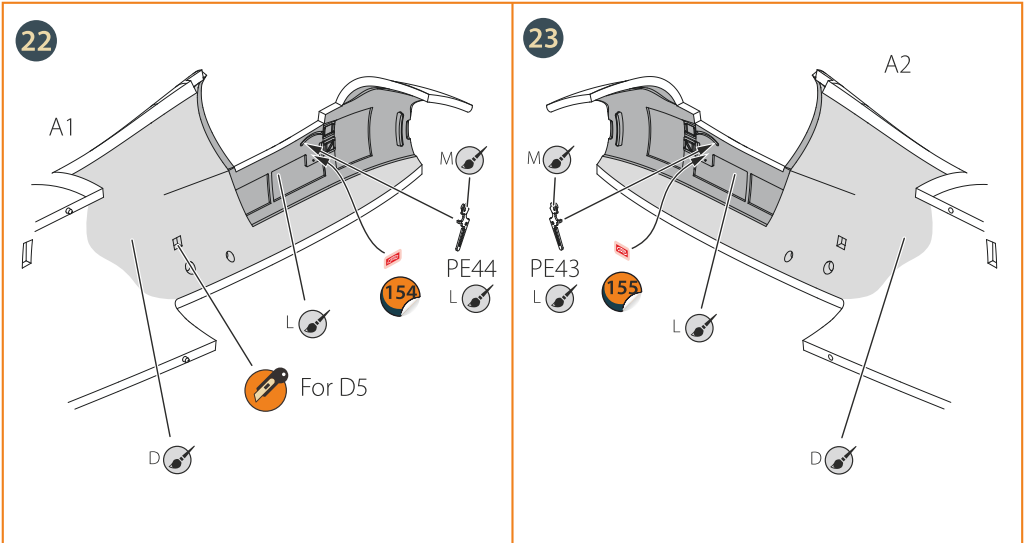


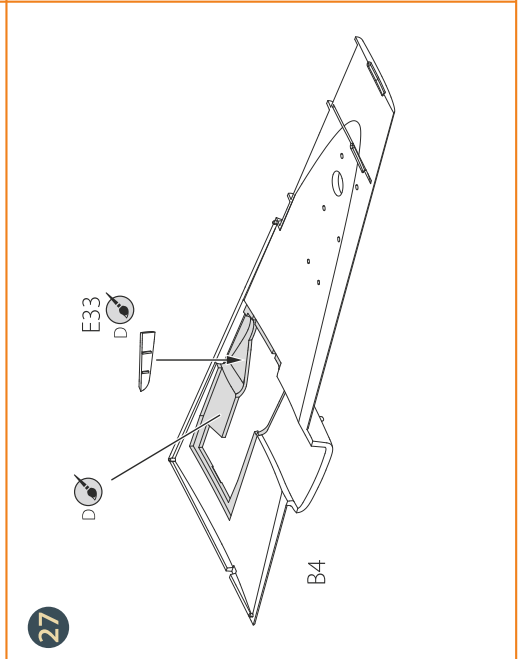
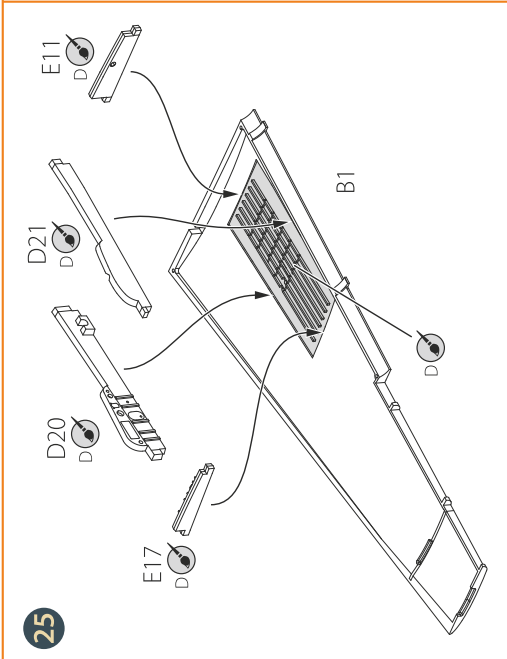
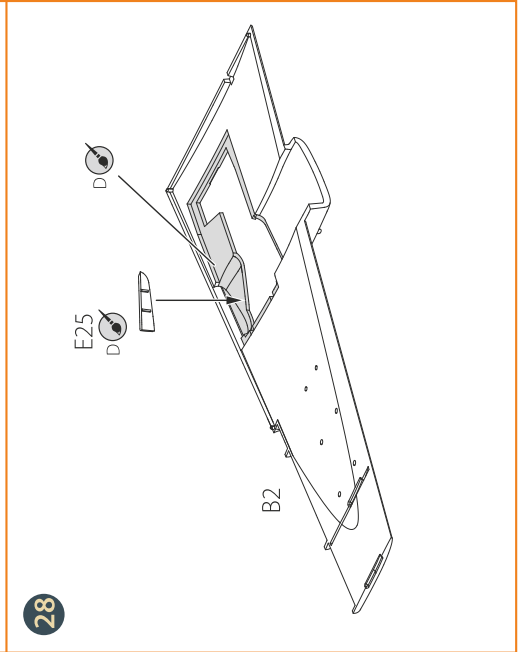
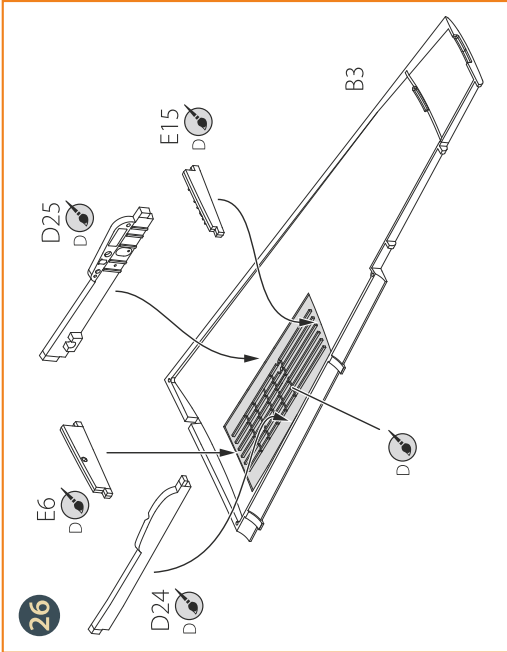
**13**

 Thickness  
 $S=0,2\text{mm}$ 

**14**

**15**

**10**

**16**

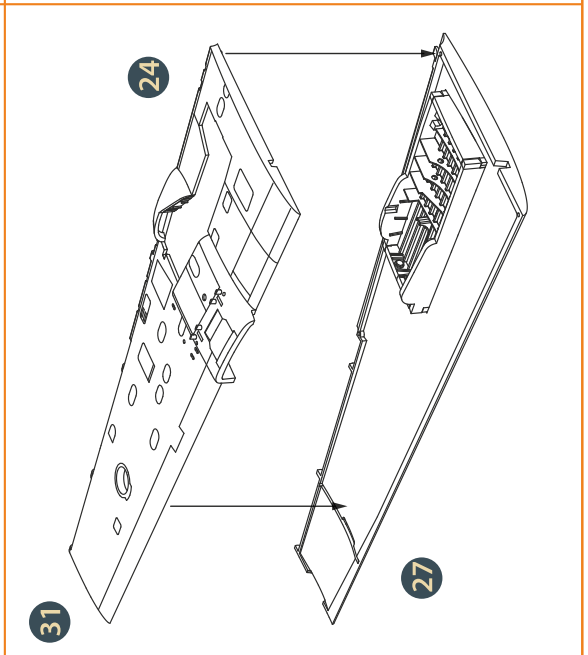
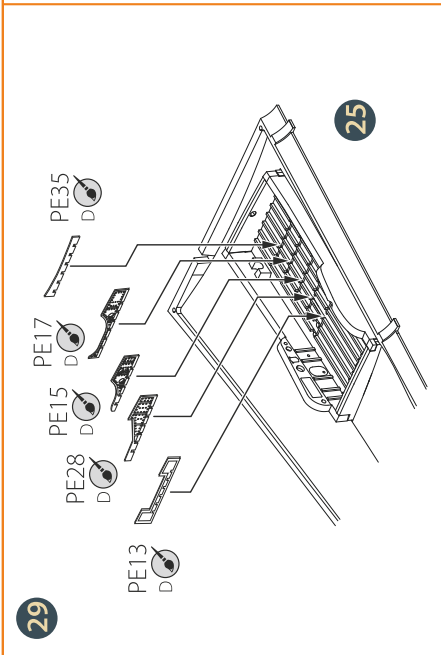
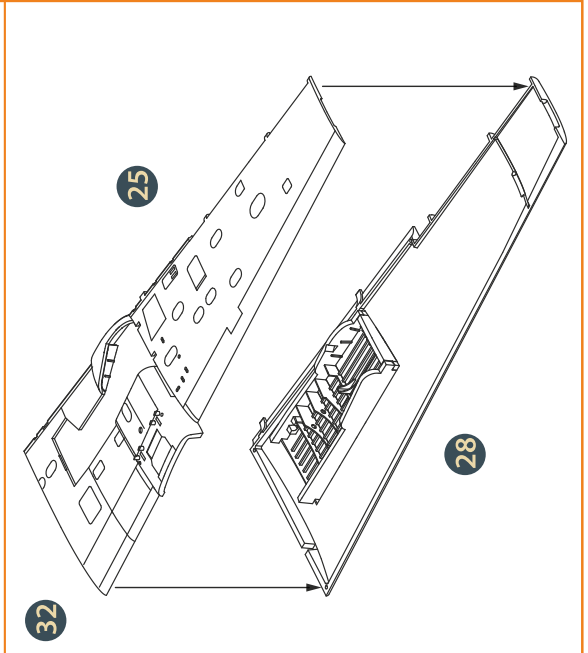
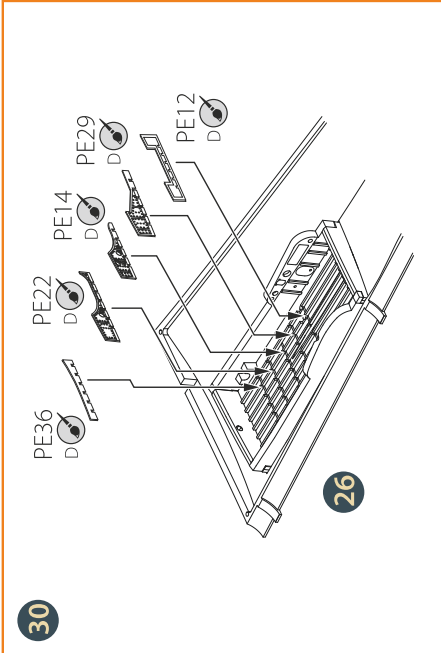
 E16  

**11**

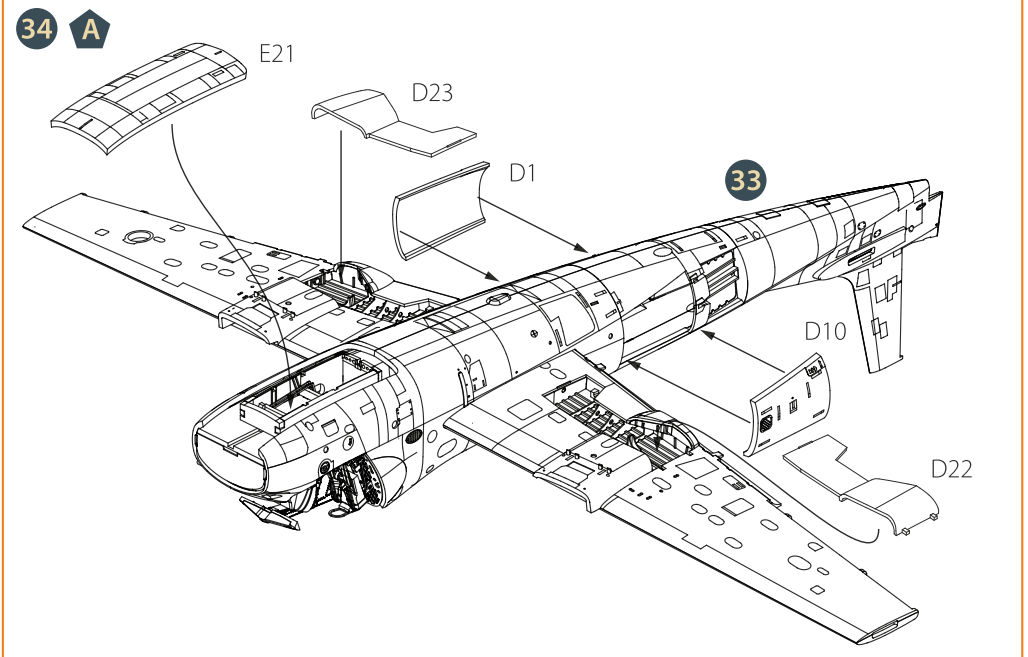
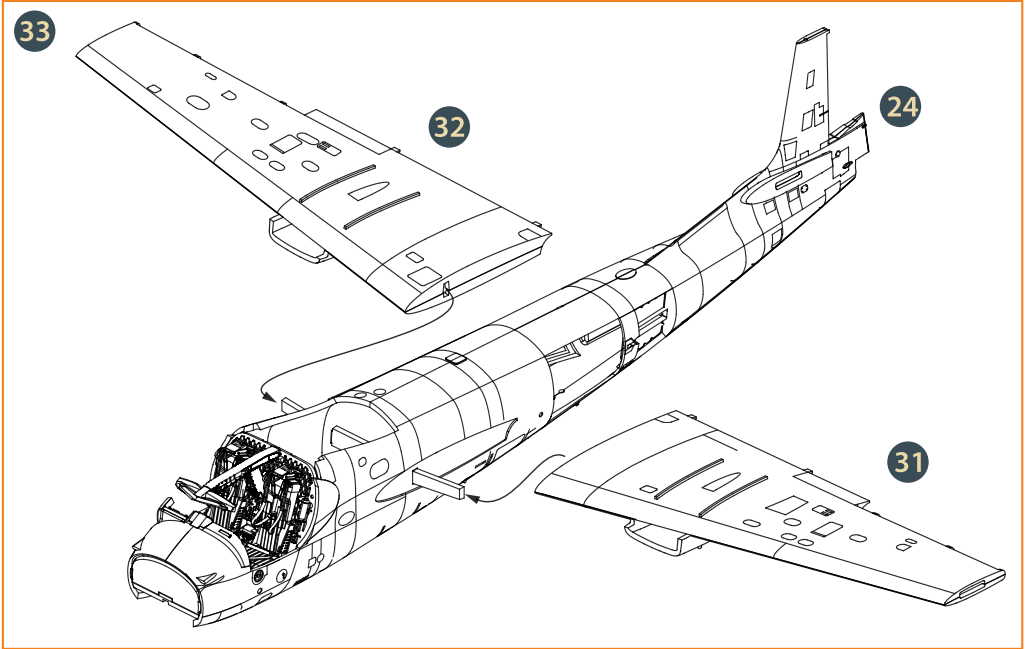


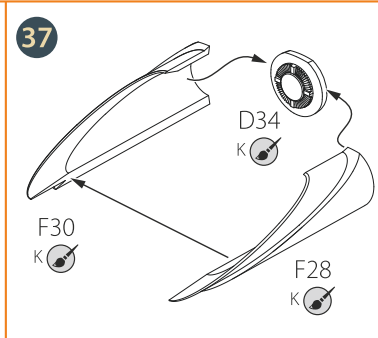
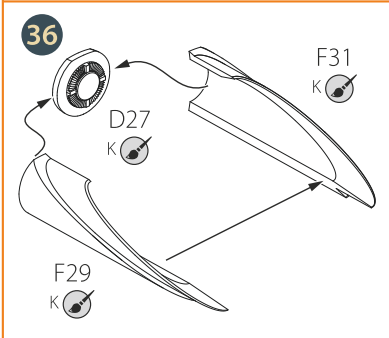
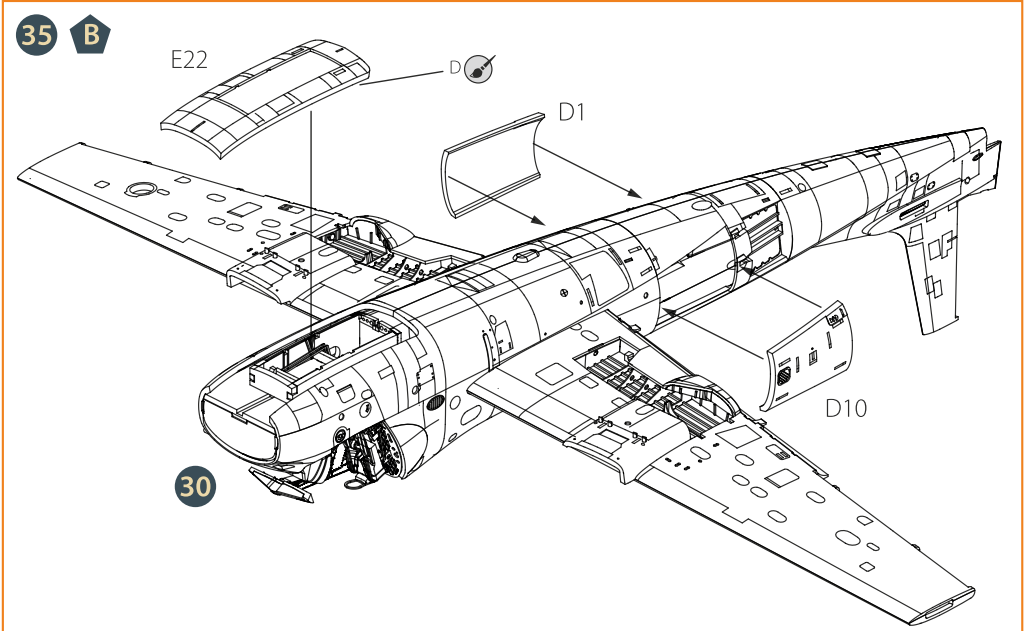




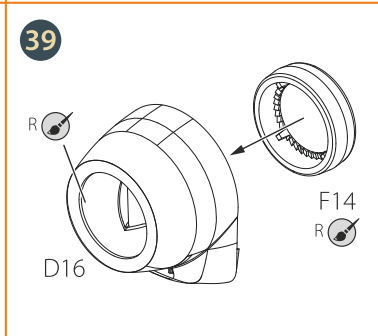
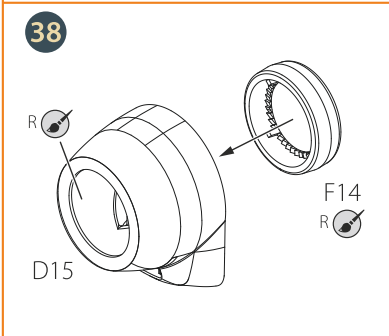
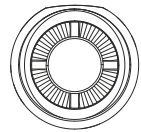




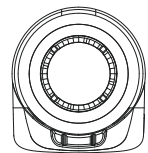


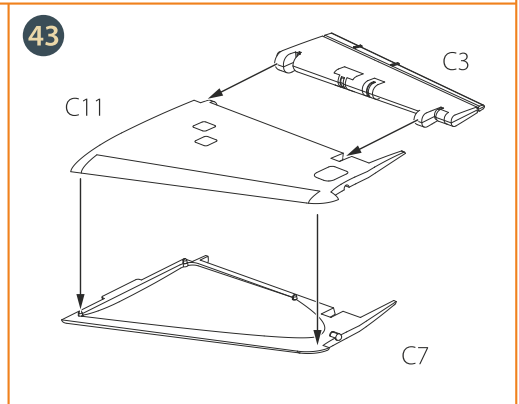
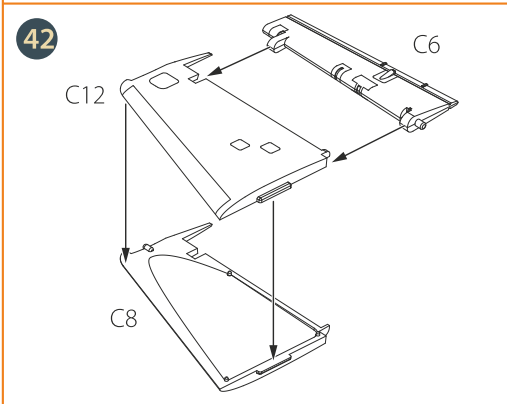
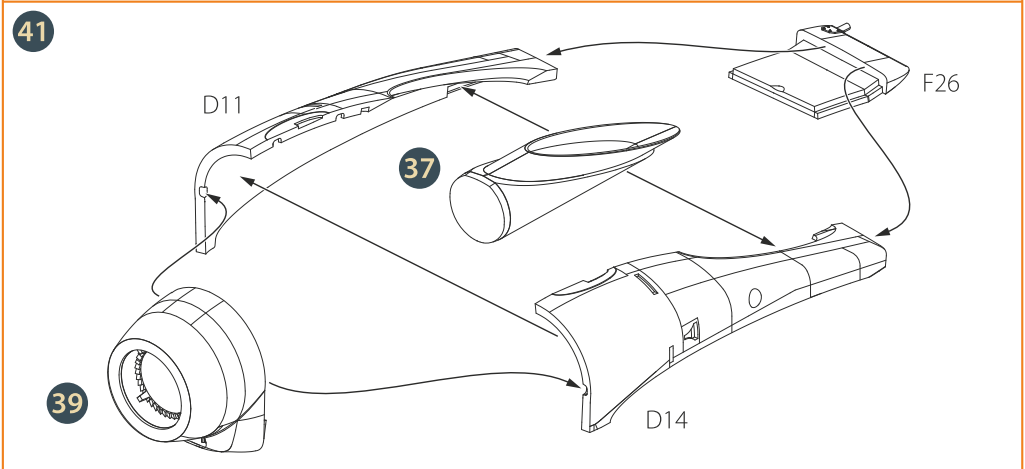
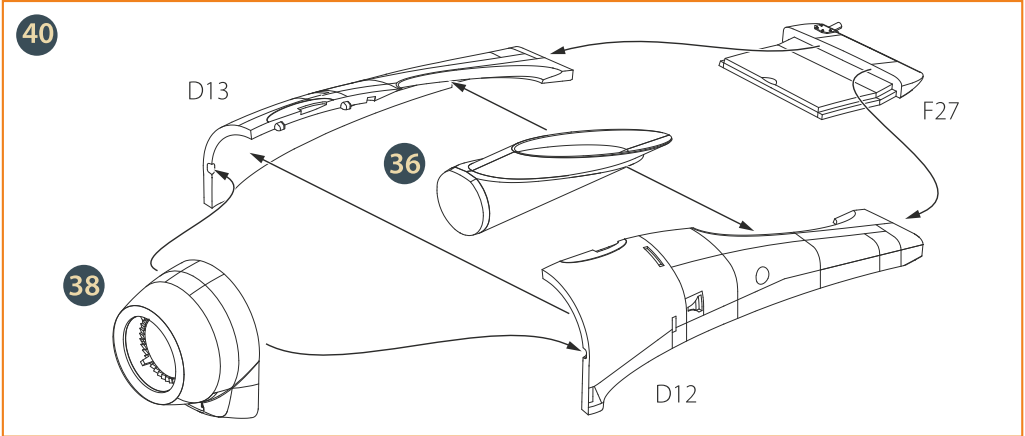


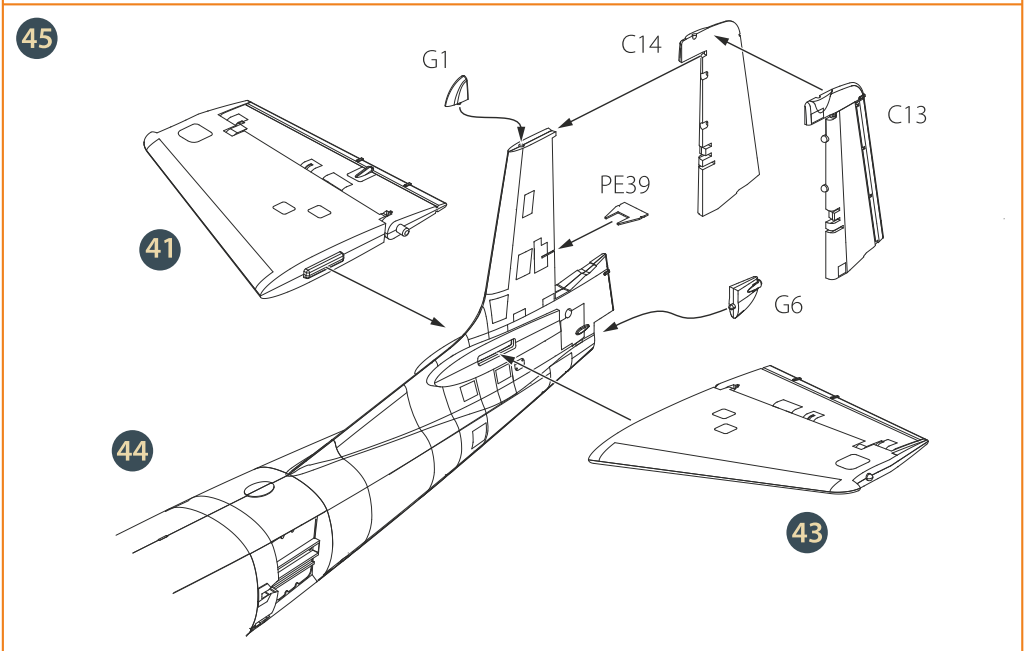
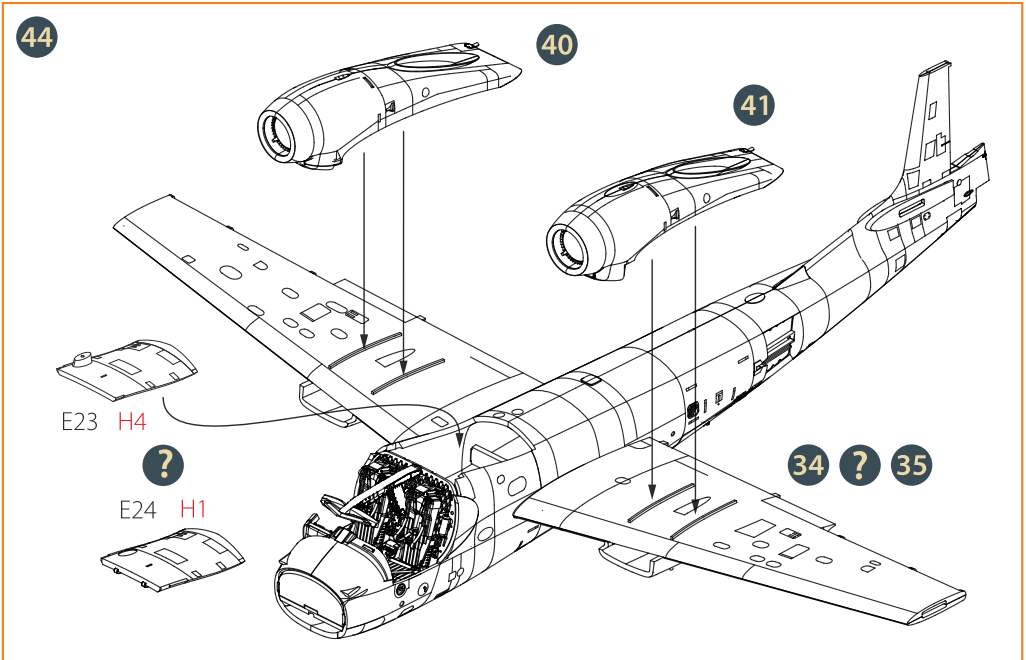
CORRECT POSITION OF  
ENGINE'S TURBINE  
IN EXHAUST

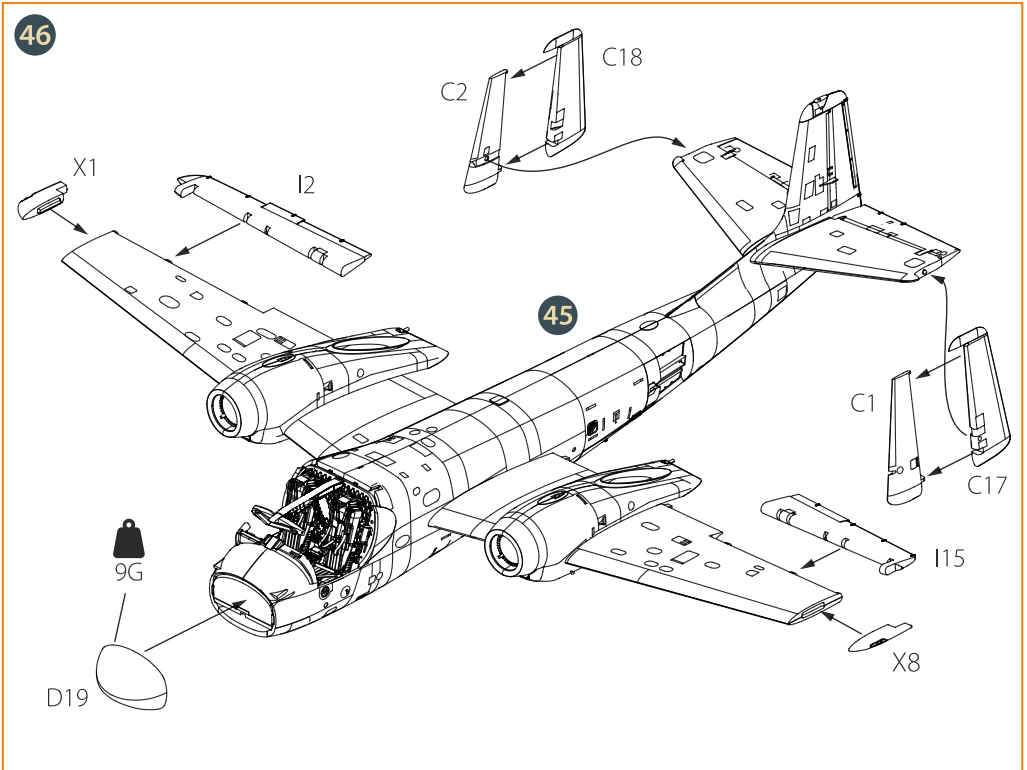


CORRECT POSITION OF  
ENGINE'S COMPRESSOR  
IN AIR INTAKE

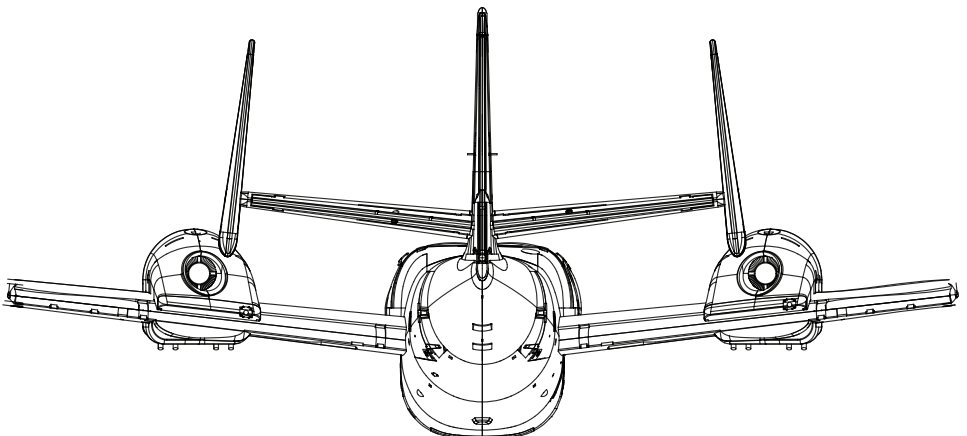




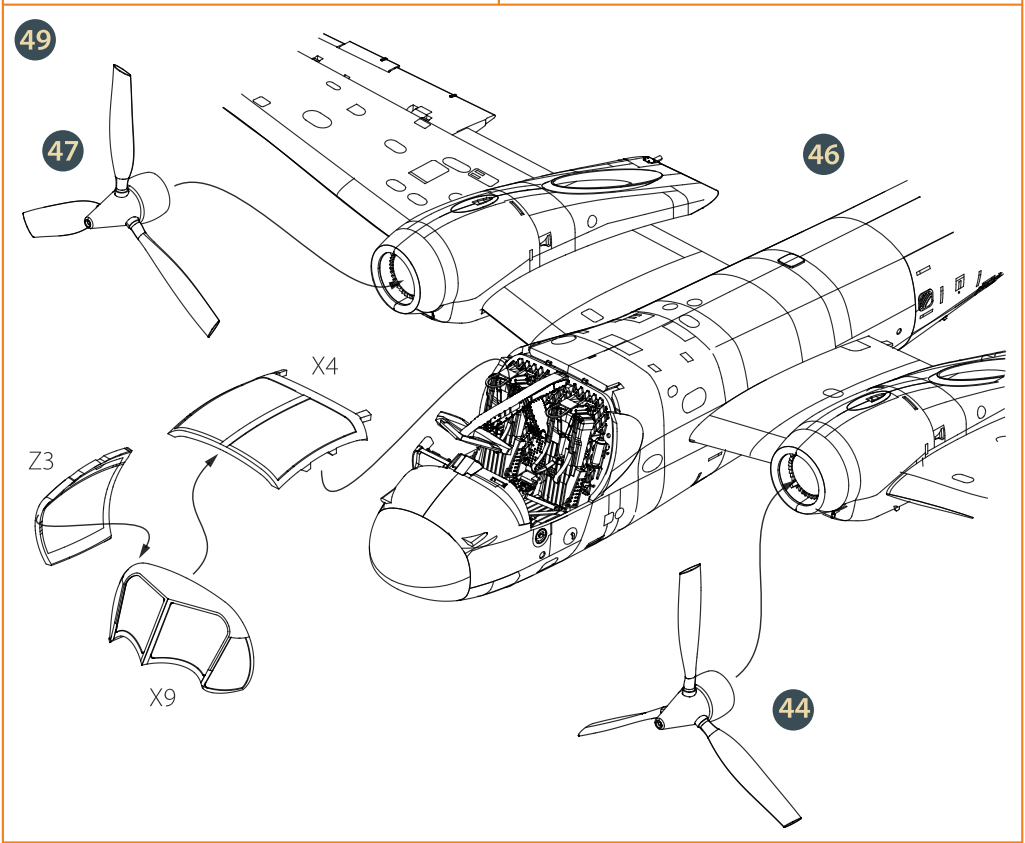
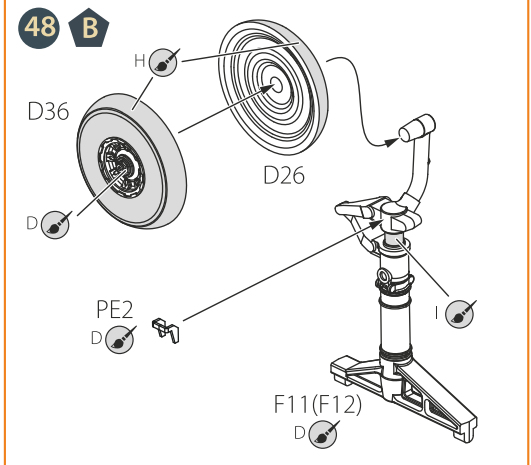
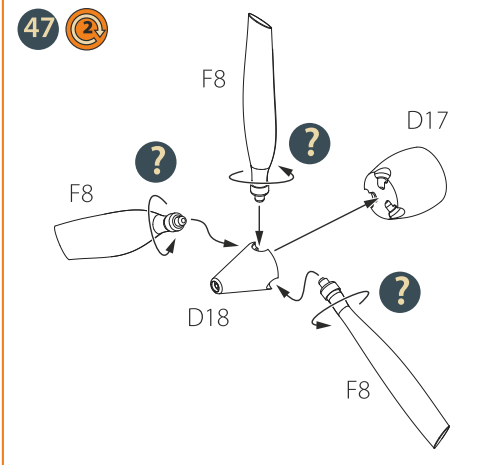


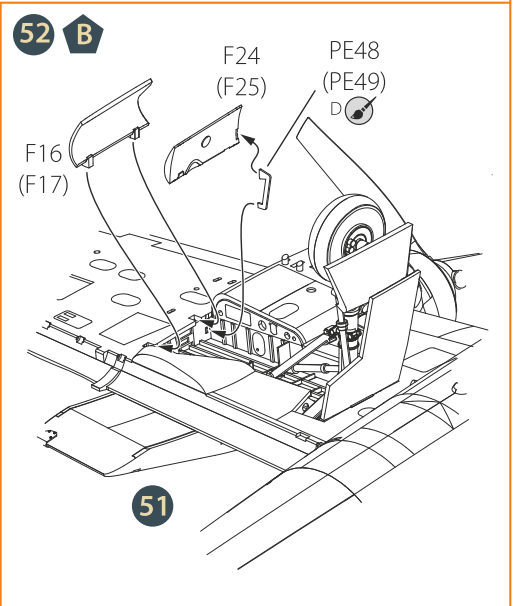
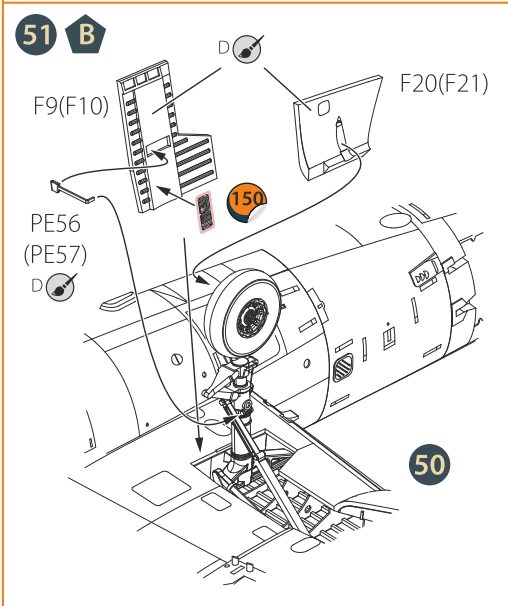
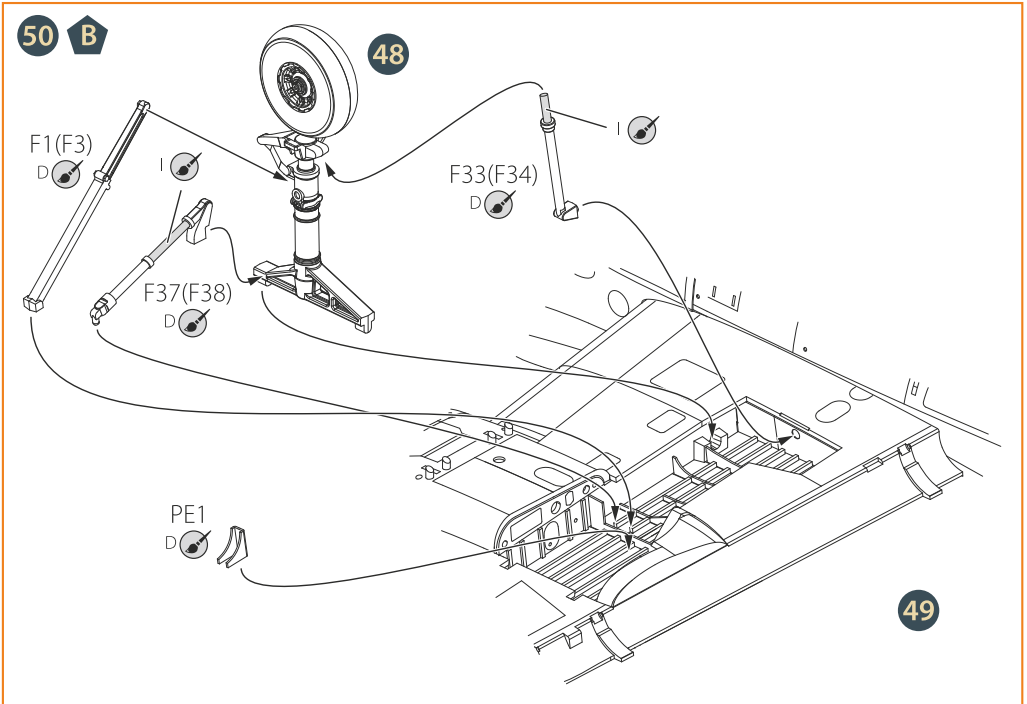


CORRECT POSITION OF STABILIZERS AND TAIL FINS

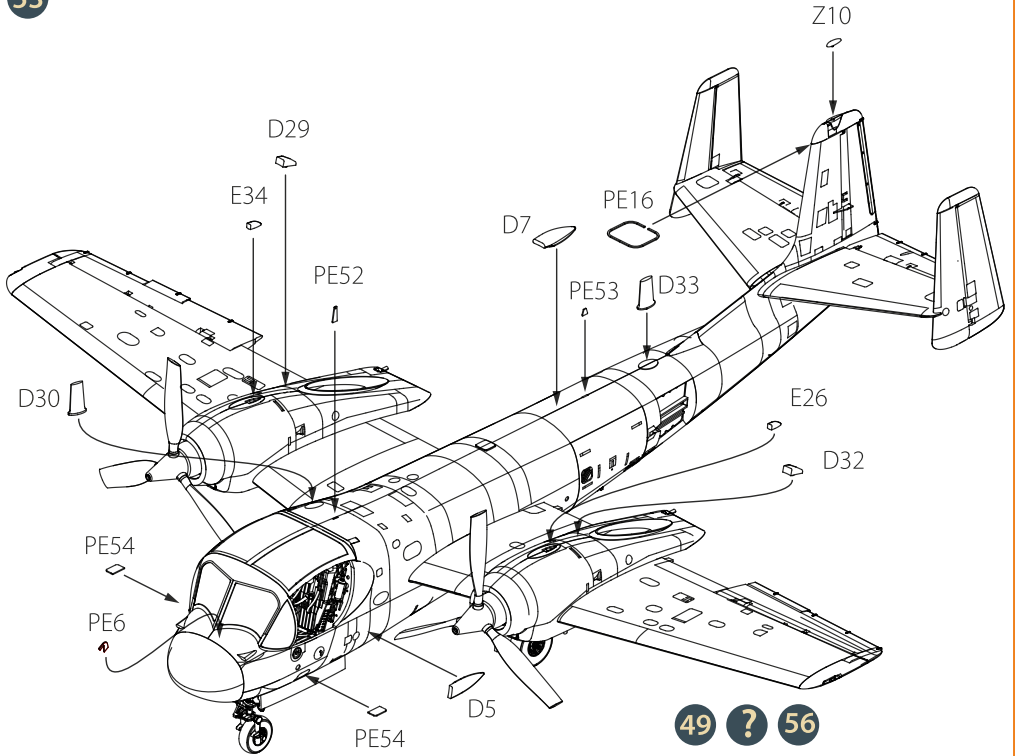




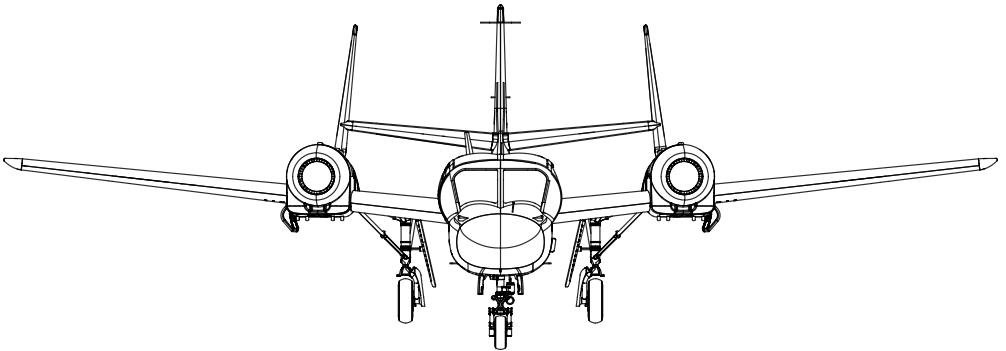


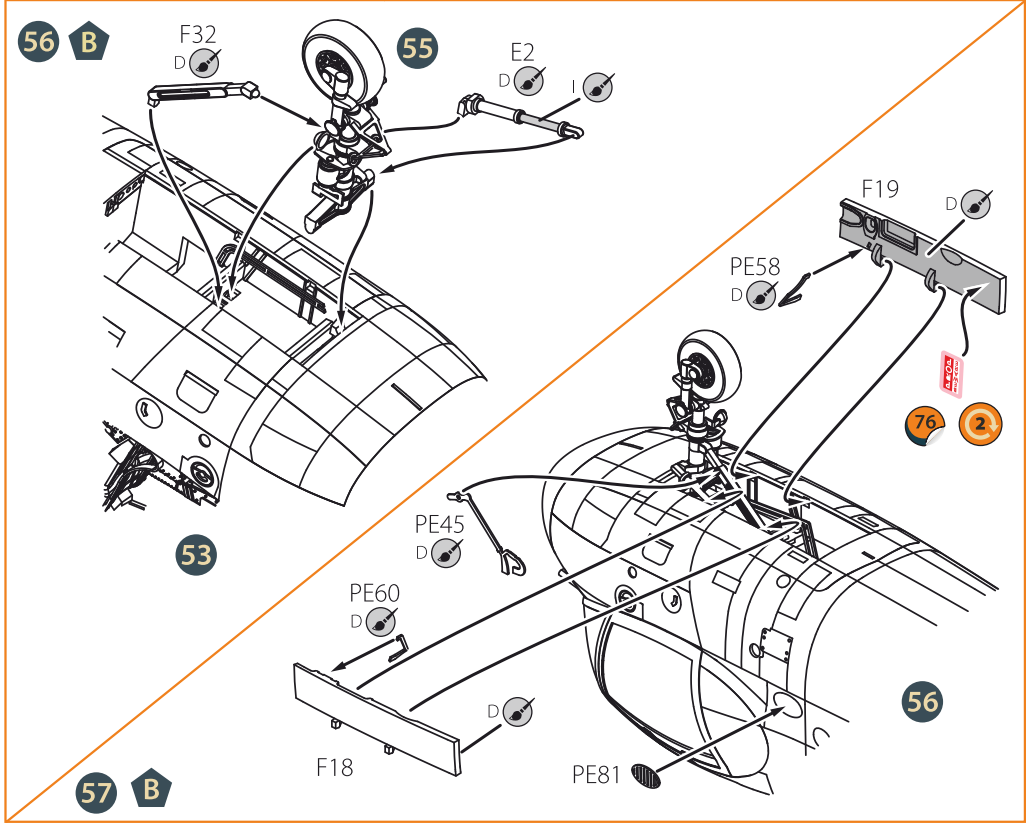
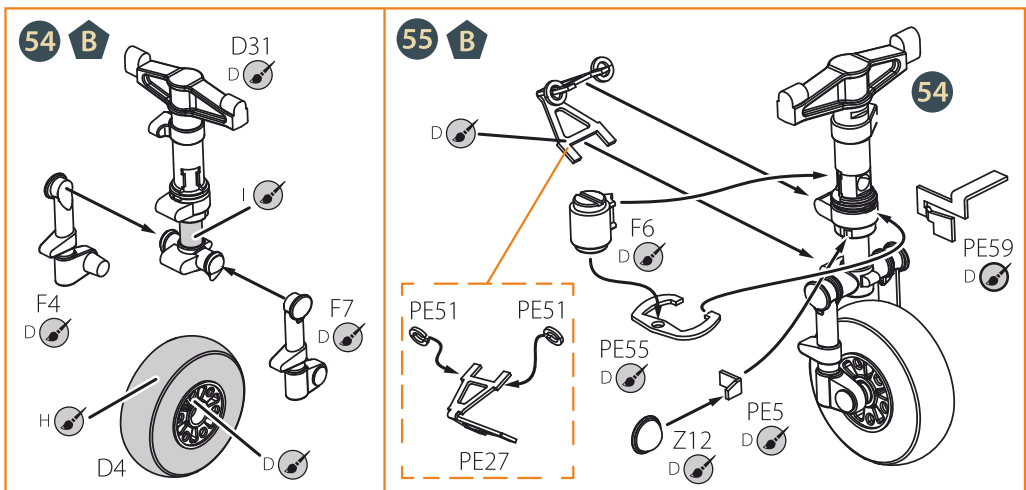


53

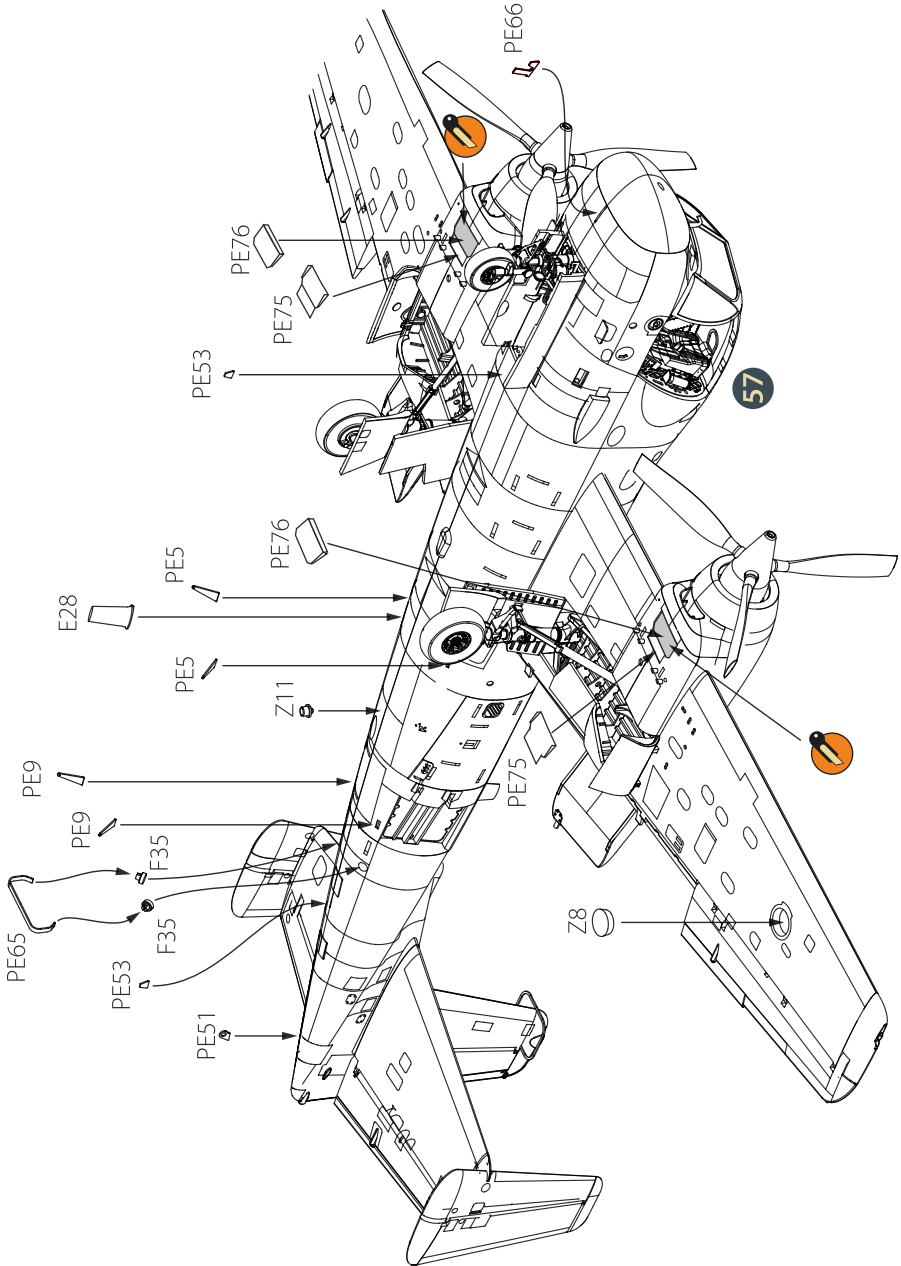


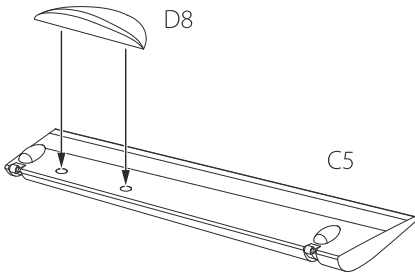
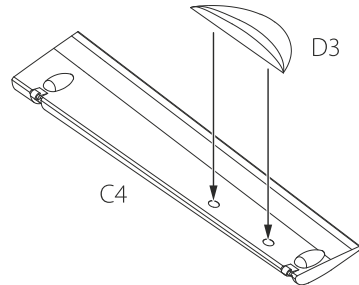
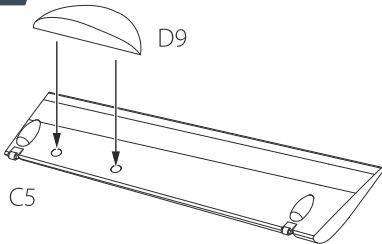
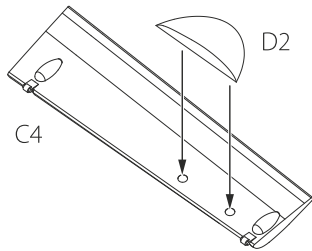
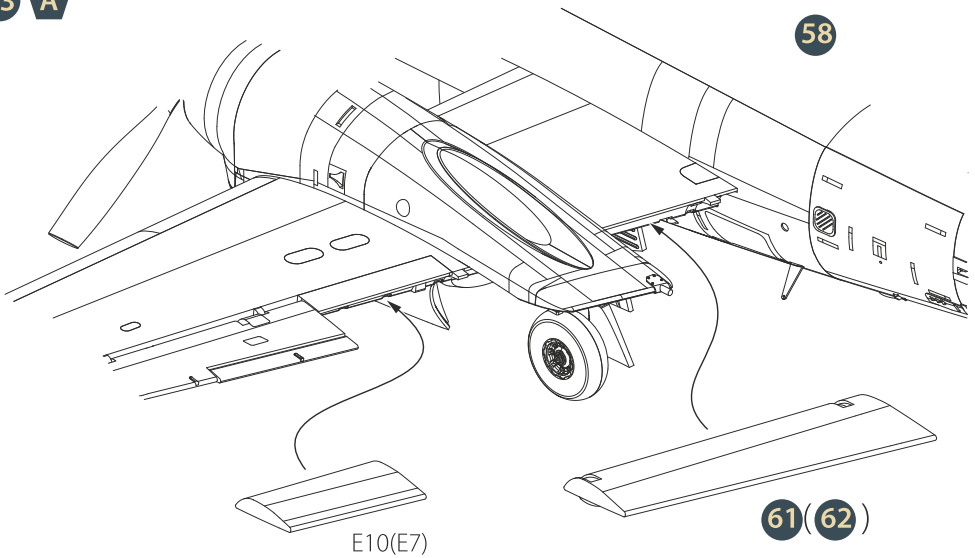
CORRECT POSITION OF LANDING GEAR DOORS



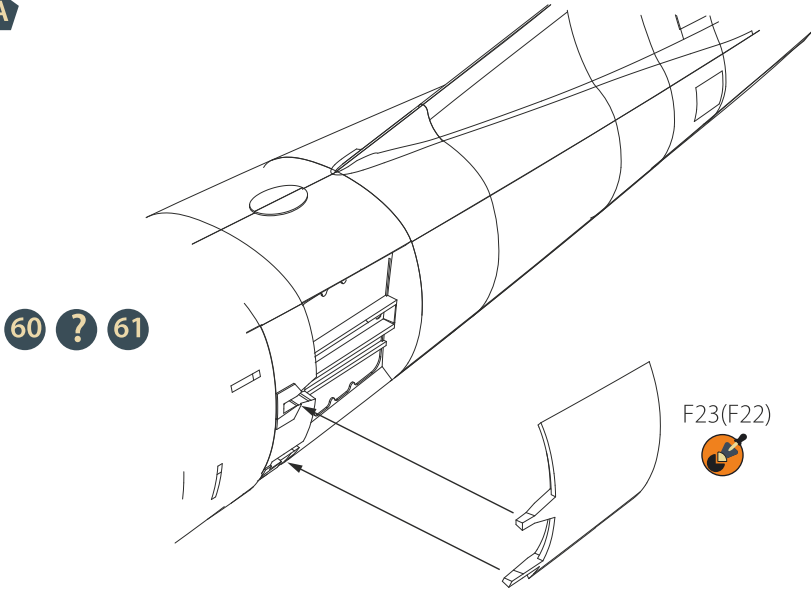
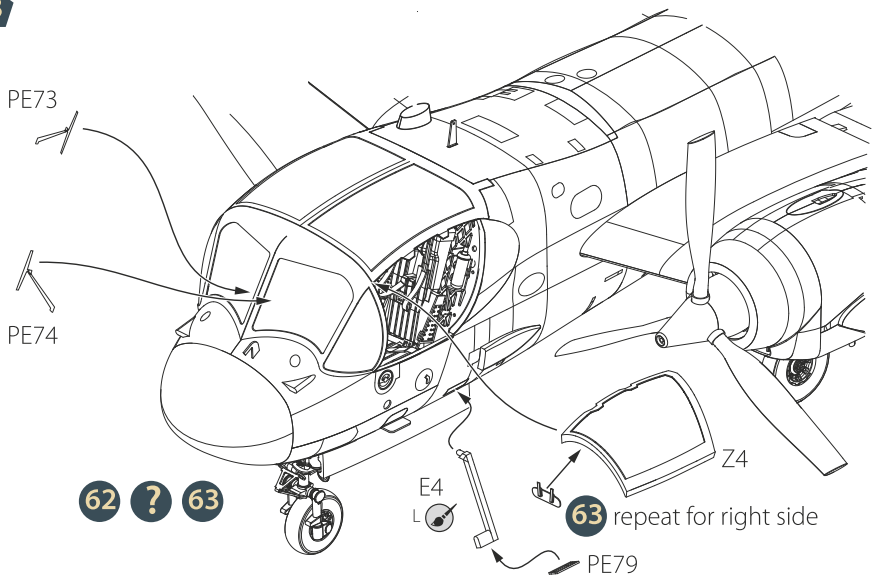


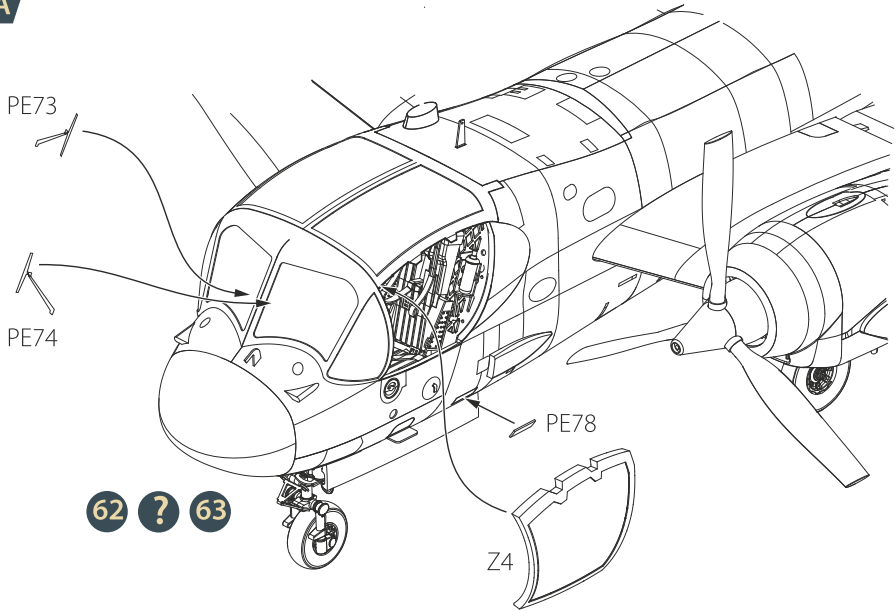
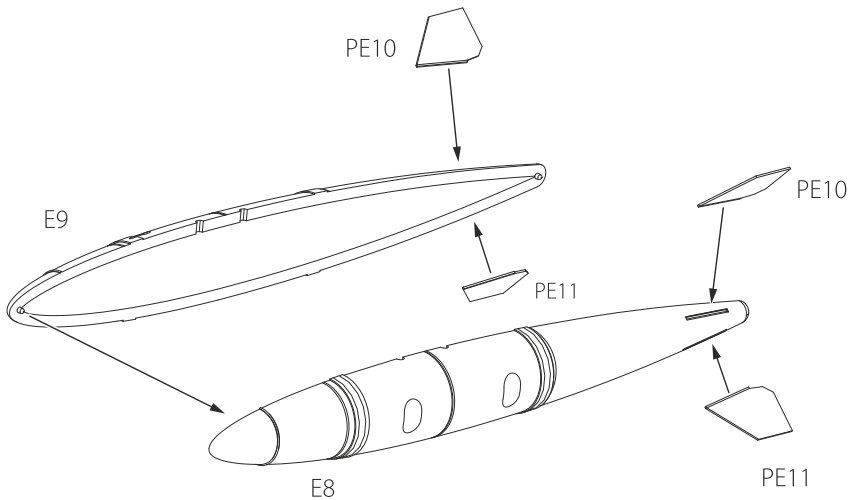
58

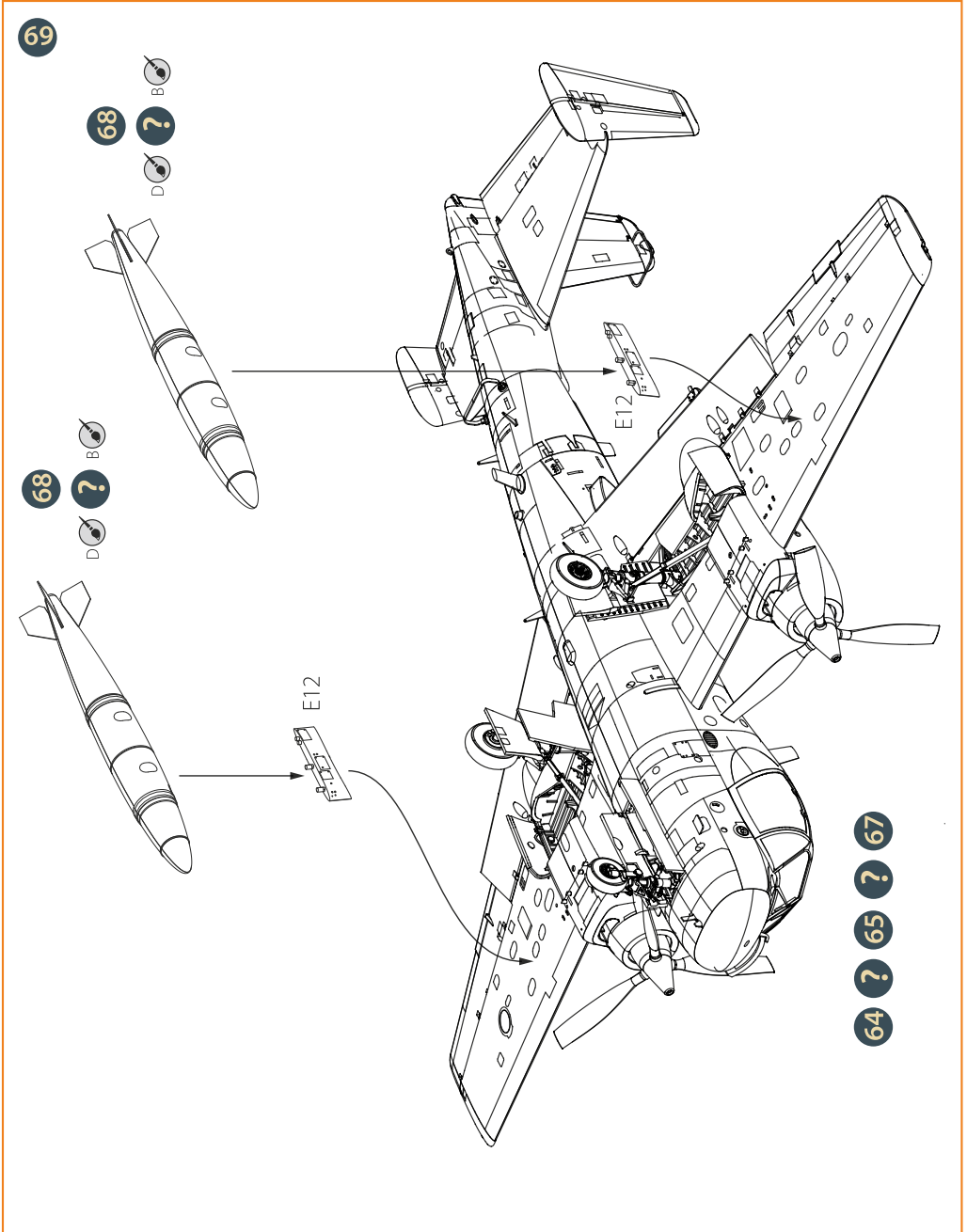


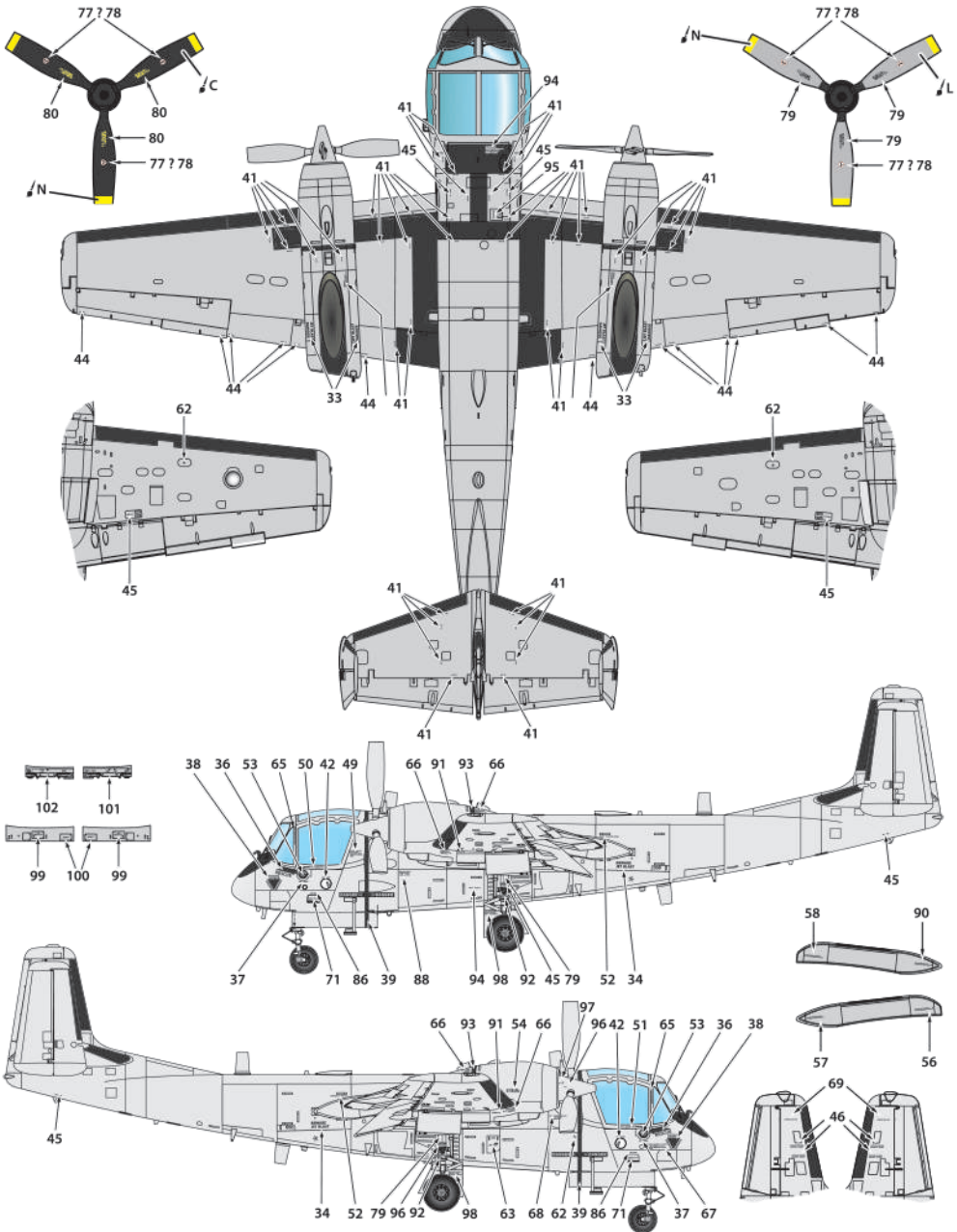
**59 A**

**60 A**

**61 B**

**62 B**

**63 A**




**64** **A**

**65** **B**


**67** **A**

**68** **2**








MR. COLOR 12  
A.MIG-0237  
OLIVE DRAB  
(FADED)



MR. COLOR 59  
A.MIG-0129  
ORANGE



MR. COLOR 33  
A.MIG-0046  
BLACK MATT



MR. COLOR 301  
A.MIG-0908  
GREY BASE



MR. COLOR 47  
A.MIG-0093  
RED CRYSTAL



MR. COLOR 317  
A.MIG-0205  
GULL GREY



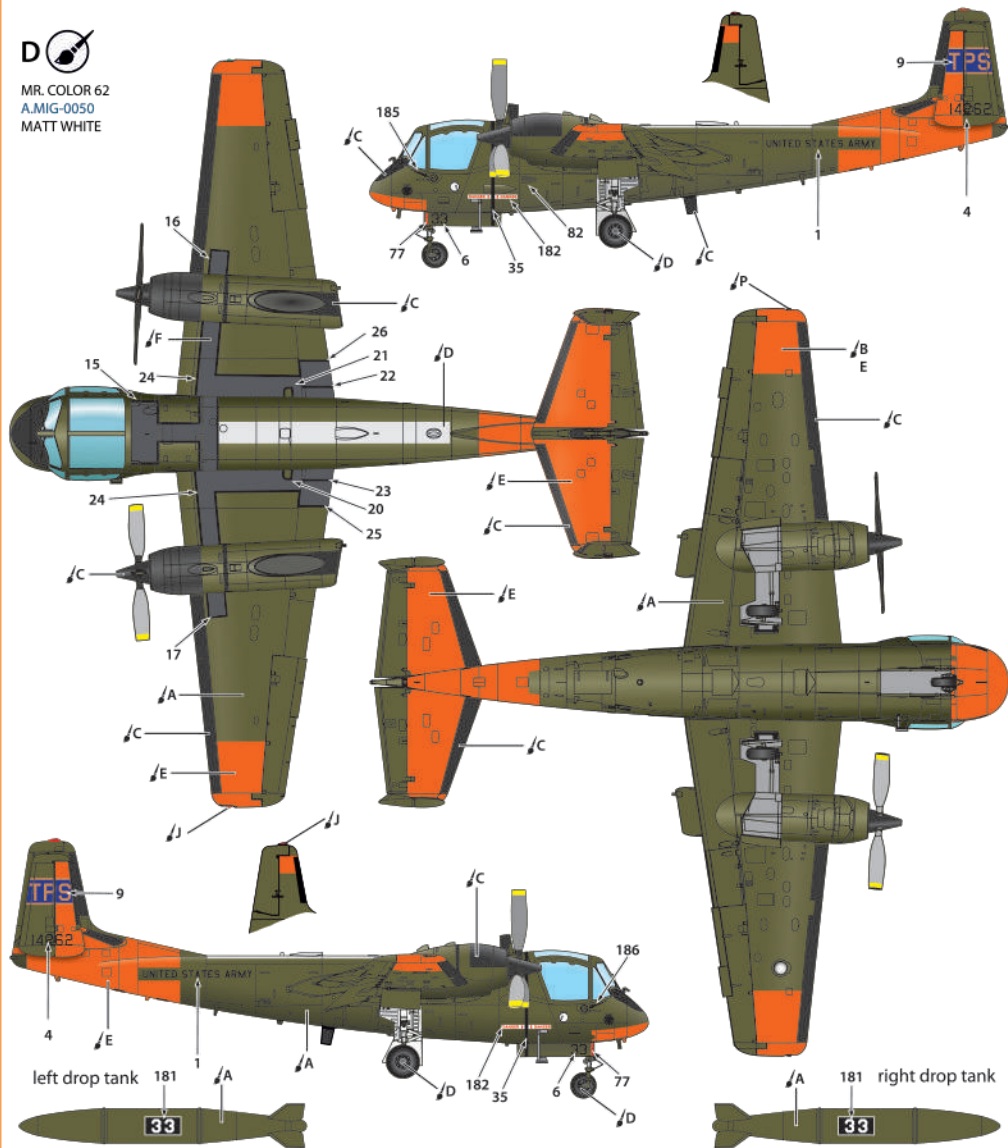
MR. COLOR 4  
A.MIG-0048  
YELLOW



MR. COLOR 138  
A.MIG-0092  
GREEN CRYSTAL



MR. COLOR 62  
A.MIG-0050  
MATT WHITE





**A**  
MR. COLOR 12  
A.MIG-0237  
OLIVE DRAB  
(FADED)



**E**  
MR. COLOR 59  
A.MIG-0129  
ORANGE



**C**  
MR. COLOR 33  
A.MIG-0046  
BLACK MATT



**F**  
MR. COLOR 301  
A.MIG-0908  
GREY BASE



**J**  
MR. COLOR 47  
A.MIG-0093  
RED CRYSTAL



**L**  
MR. COLOR 317  
A.MIG-0205  
GULL GREY



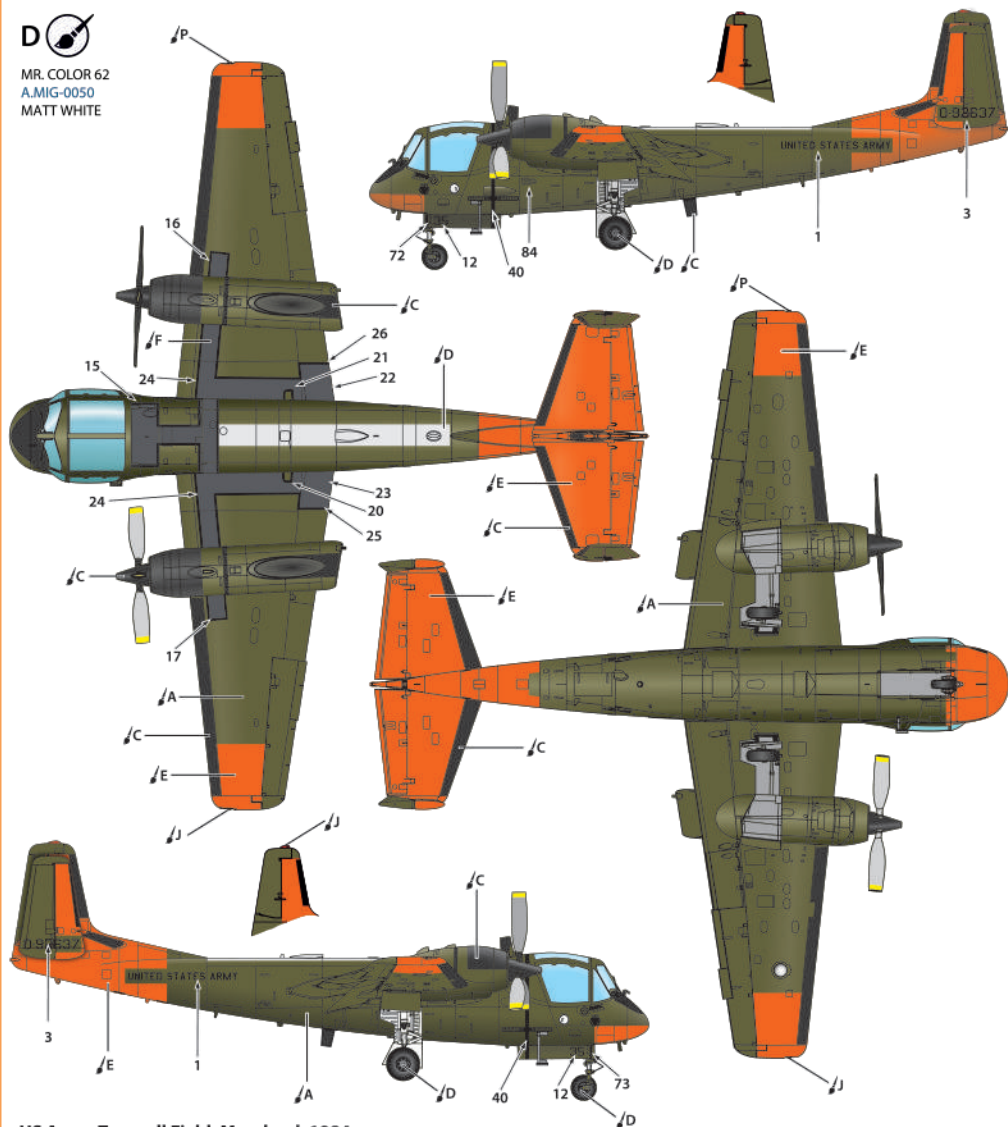
**N**  
MR. COLOR 4  
A.MIG-0048  
YELLOW



**P**  
MR. COLOR 138  
A.MIG-0092  
GREEN CRYSTAL



**D**  
MR. COLOR 62  
A.MIG-0050  
MATT WHITE



US Army. Trapnell Field. Maryland. 1984





MR. COLOR 33  
A.MIG-0046  
BLACK MATT



MR. COLOR 62  
A.MIG-0050  
MATT WHITE



MR. COLOR 59  
A.MIG-0129  
ORANGE



MR. COLOR 301  
A.MIG-0908  
GREY BASE



MR. COLOR 47  
A.MIG-0093  
RED CRYSTAL



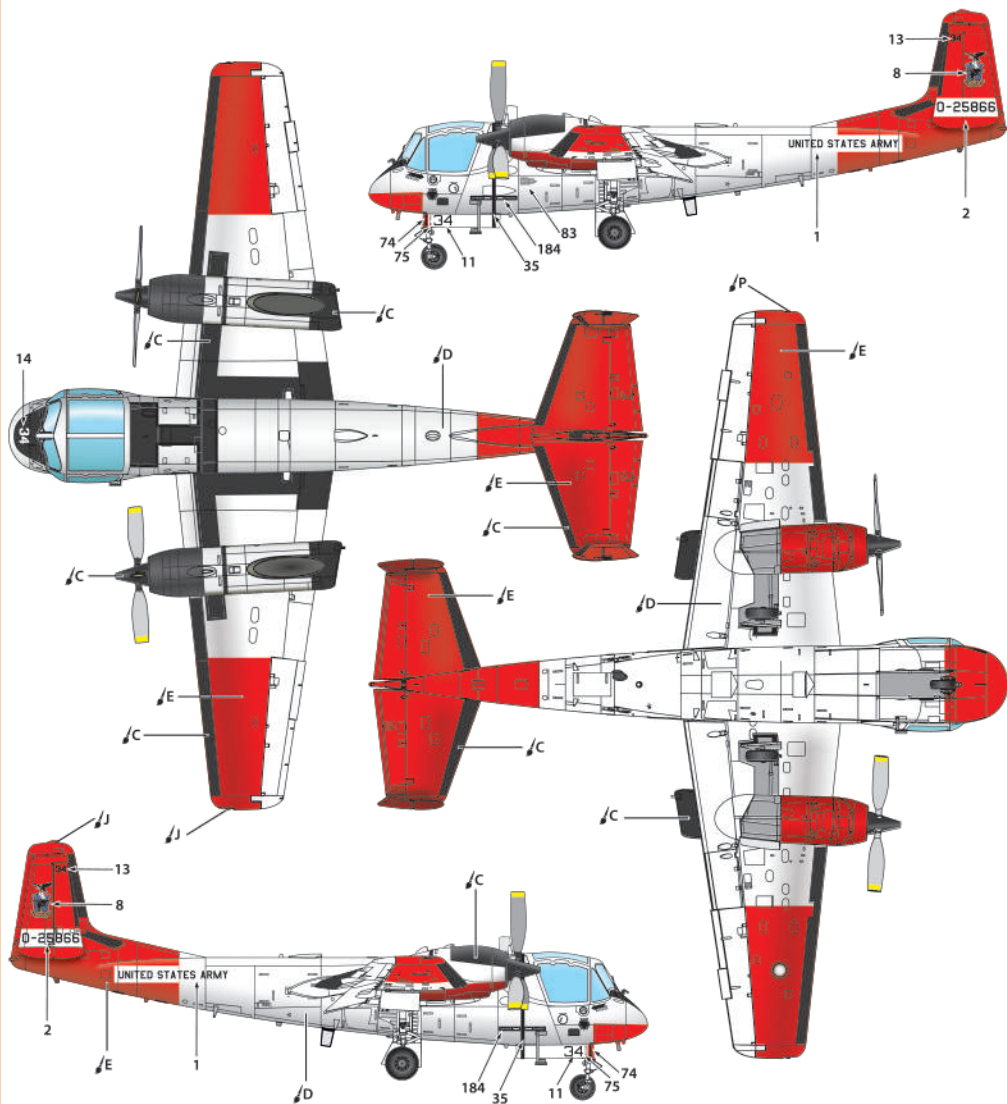
MR. COLOR 317  
A.MIG-0205  
GULL GREY



MR. COLOR 4  
A.MIG-0048  
YELLOW



MR. COLOR 138  
A.MIG-0092  
GREEN CRYSTAL



USN Test Pilot School Patuxent River, November 1985



MR. COLOR 33  
A.MIG-0046  
BLACK MATT



MR. COLOR 62  
A.MIG-0050  
MATT WHITE



MR. COLOR 59  
A.MIG-0129  
ORANGE



MR. COLOR 301  
A.MIG-0908  
GREY BASE



MR. COLOR 47  
A.MIG-0093  
RED CRYSTAL



MR. COLOR 317  
A.MIG-0205  
GULL GREY



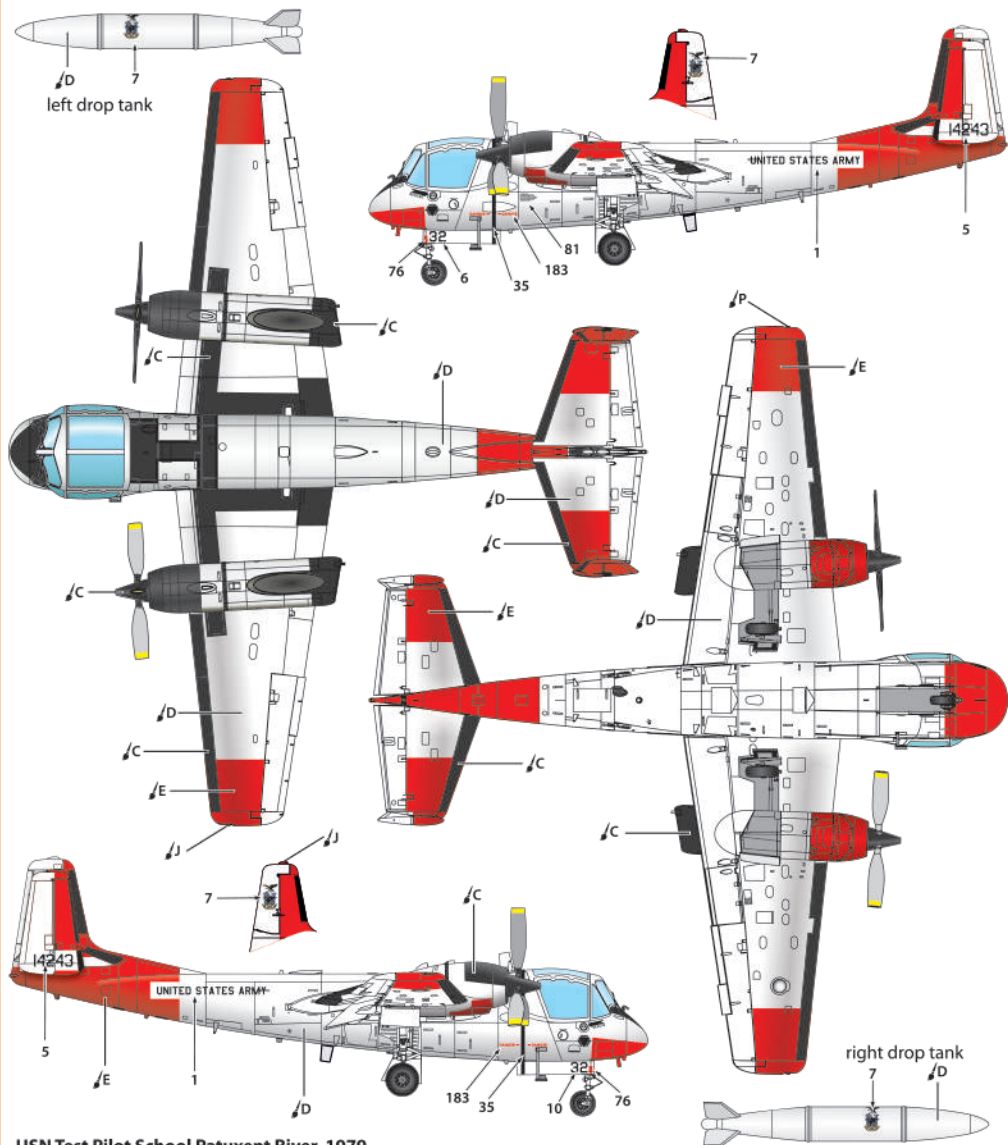
MR. COLOR 4  
A.MIG-0048  
YELLOW



MR. COLOR 138  
A.MIG-0092  
GREEN CRYSTAL



left drop tank



USN Test Pilot School Patuxent River, 1979